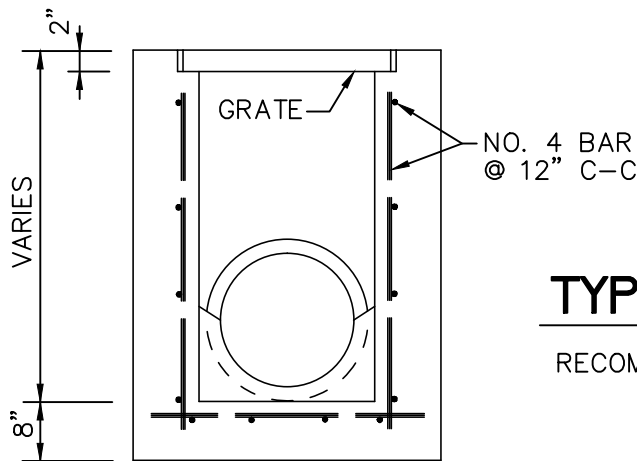


PLAN



SECTION

TYPE "C" INLET 2011

RECOMMENDED MAXIMUM PIPE SIZE

2'-0" WALL-18" PIPE
3'-1" WALL-24" PIPE

ENGINEERING STANDARDS 2011

REVISIONS		ENGINEERING DEPARTMENT CITY OF POMPANO BEACH	TYPE "C" INLET	
BY	DATE			
		SCALE: N.T.S.	DATE: JUNE 1996	400-1
			DWG. NO.	