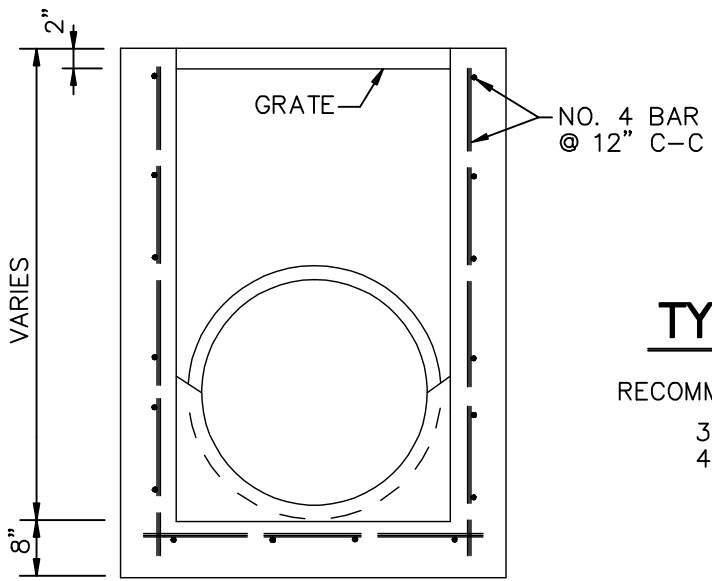


PLAN



SECTION

TYPE "D" INLET

RECOMMENDED MAXIMUM PIPE SIZE

- 3'-1" WALL-24" PIPE
- 4'-1" WALL-36" PIPE

ENGINEERING STANDARDS

REVISIONS		ENGINEERING DEPARTMENT CITY OF POMPANO BEACH	TYPE "D" INLET	
BY	DATE			
		SCALE: N.T.S.	APPROVED BY:	DATE: JUNE 1996
			CITY ENGINEER	DWG. NO.