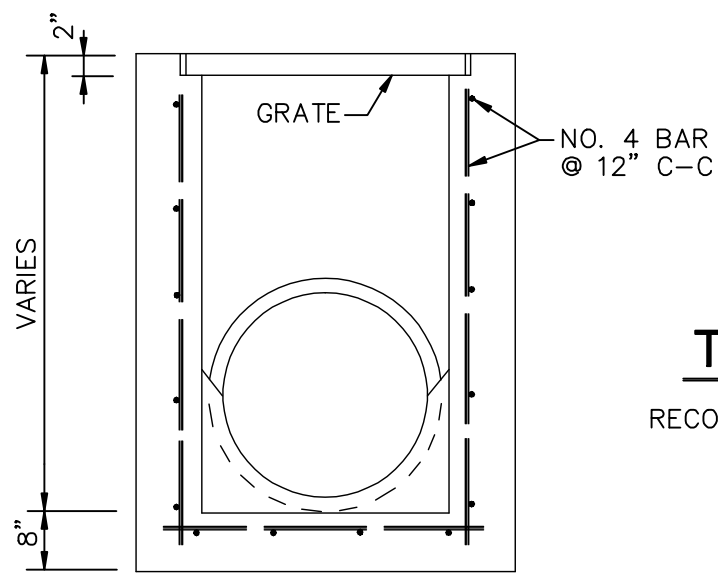


PLAN



SECTION

TYPE "E" INLET

RECOMMENDED MAXIMUM PIPE SIZE
 3'-0" WALL-24" PIPE
 4'-6" WALL-42" PIPE

ENGINEERING STANDARDS

REVISIONS		ENGINEERING DEPARTMENT CITY OF POMPANO BEACH	TYPE "E" INLET	
BY	DATE			
				DWG. NO.
				402-1
			SCALE: N.T.S.	CITY ENGINEER