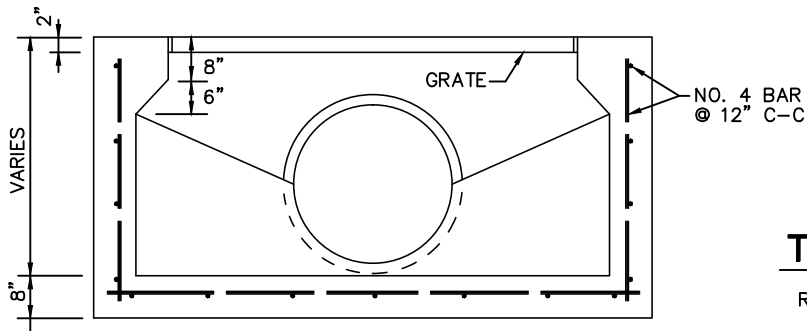
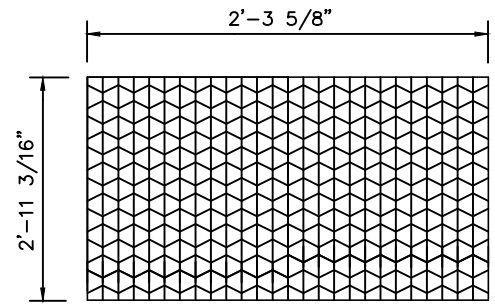


PLAN



SECTION

TYPE "H" INLET 2011

RECOMMENDED MAXIMUM PIPE SIZE

2'-0" WALL-18" PIPE
3'-1" WALL-24" PIPE

ENGINEERING STANDARDS 2011

REVISIONS		ENGINEERING DEPARTMENT CITY OF POMPANO BEACH	TYPE "H" INLET	
BY	DATE			DATE: JUNE 1996 DWG. NO.
		SCALE: N.T.S.		403-1