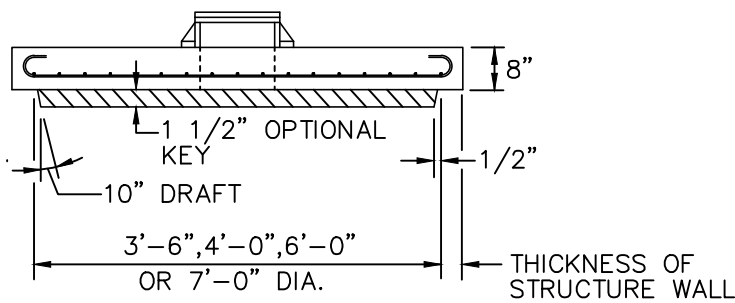


REINFORCEMENT PLAN

REINFORCING BARS @ 6" CENTERS BOTH WAYS EXCEPT MIDDLE BARS SHOWN @ 7" CENTERS. ALL BARS WITH ACI STANDARD HOOKS CANTED APPROXIMATELY 45°, OR EMBEDDED IN ACCORDANCE WITH THE SLAB REINFORCEMENT DETAIL SHOWN UNDER OPTIONAL CONSTRUCTION JOINT DETAILS, EXCEPT BARS AROUND MANHOLE OPENING SHALL BE HOOKED.

BAR SIZE	TOP DIAMETER
NO. 4	3'-6" & 4'
NO. 5	6'
NO. 6	7'



SECTION

TYPE 7-NT (NON-TRAFFIC)

**STRUCTURE TOPS FOR  
MANHOLES AND JUNCTION BOXES 2011**

**ENGINEERING STANDARDS 2011**

REVISIONS		ENGINEERING DEPARTMENT CITY OF POMPANO BEACH	<b>STRUCTURE TOPS</b>	
BY	DATE			
		SCALE: N.T.S.	DATE: JUNE 1996	<b>408-1</b>
			DWG. NO.	