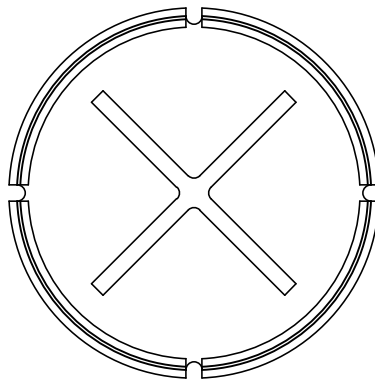
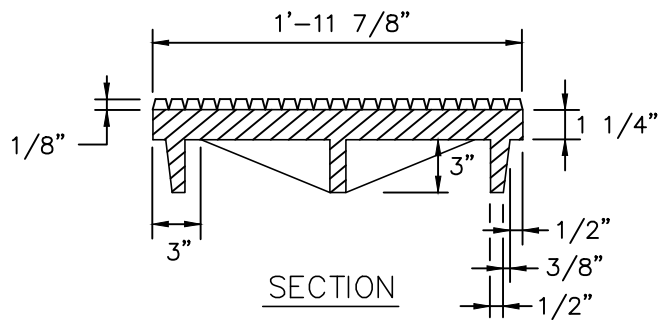


TOP VIEW



BOTTOM VIEW



SECTION

COVER FOR ALL FRAMES 2011

ENGINEERING STANDARDS 2011

REVISIONS		ENGINEERING DEPARTMENT CITY OF POMPANO BEACH	COVER FOR MANHOLES AND INLETS	DATE: JUNE 1996
BY	DATE			DWG. NO.
		SCALE: N.T.S.		409-1