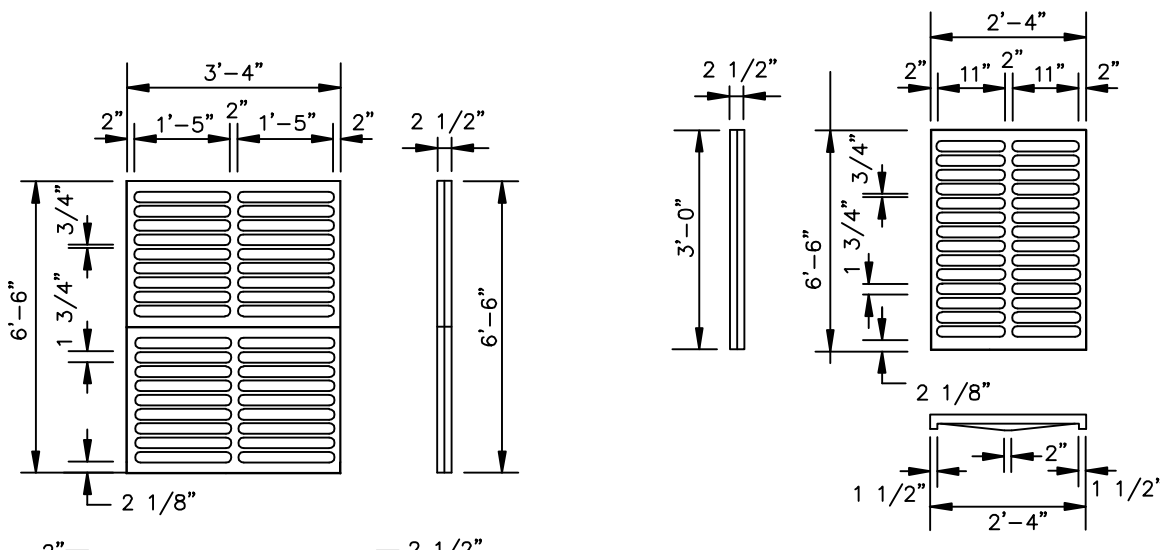


TYPE H



TYPE C



TYPE E

CAST IRON GRATES

ENGINEERING STANDARDS

REVISIONS		ENGINEERING DEPARTMENT CITY OF POMPANO BEACH	CAST IRON GRATES	
BY	DATE		APPROVED BY:	DATE: JUNE 1996 DWG. NO.
SCALE: N.T.S.		CITY ENGINEER	410-1	