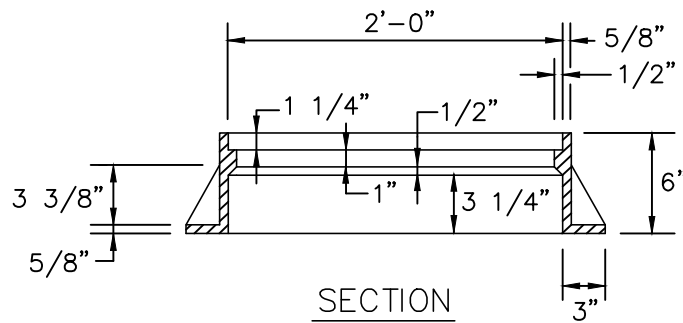


TOP VIEW



SECTION

**CAST IRON FRAME
FOR MANHOLES 2011**

ENGINEERING STANDARDS 2011

REVISIONS		ENGINEERING DEPARTMENT CITY OF POMPANO BEACH	CAST IRON FRAME FOR MANHOLES	DATE: JUNE 1996 DWG. NO.
BY	DATE			
		SCALE: N.T.S.		411-1