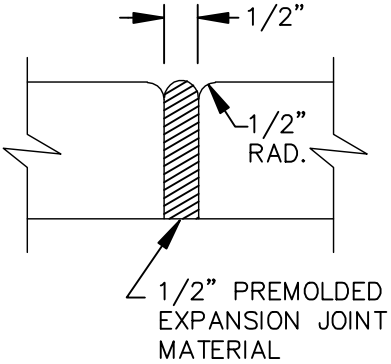
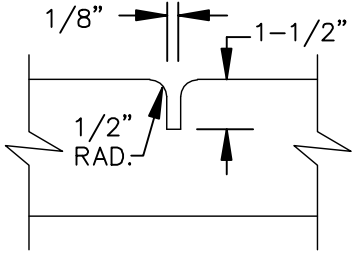


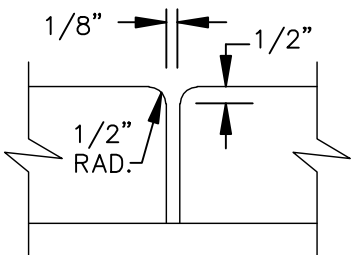
TABLE OF SIDEWALK JOINTS	
TYPE	LOCATION
"A"	JOINT SHALL BE PLACED AT P.C. AND P.T. OF CURVES, JUNCTION OF EXISTING SIDEWALKS, EVERY 60' ON NEW SIDEWALKS AND WHERE SIDEWALKS ABUT CONCRETE CURBS, DRIVEWAYS AND SIMILAR STRUCTURES.
"B"	JOINT SHALL BE PLACED 5'-0" CENTER
"C"	JOINT SHALL BE PLACED AT 20' INTERVALS



TYPE "A" JOINT



TYPE "B" JOINT



TYPE "C" JOINT

NOTE: SIDEWALK SHALL BE 4" THICK EXCEPT IN DRIVEWAYS WHERE THE THICKNESS SHALL BE 6".

SIDEWALK DETAILS

ENGINEERING		STANDARDS	
REVISIONS		ENGINEERING DEPARTMENT CITY OF POMPANO BEACH	
BY	DATE		
		APPROVED BY: CITY ENGINEER	
SCALE: N.T.S.		DATE: JUNE 1996 DWG. NO. 301-2	