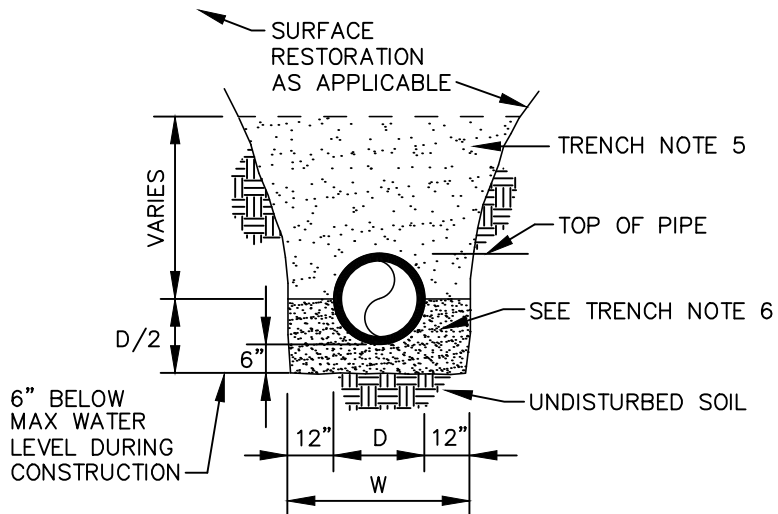


### TRENCH BACKFILL / BEDDING CLASS " B " 2011



### TRENCH BACKFILL / BEDDING CLASS " A " 2011

## ENGINEERING STANDARDS 2011

REVISIONS		ENGINEERING DEPARTMENT CITY OF POMPANO BEACH	TRENCH BACKFILL / BEDDING	
BY	DATE		SCALE: N.T.S.	DATE:
S.S.	JUNE 2005	DWG. NO.		201-1