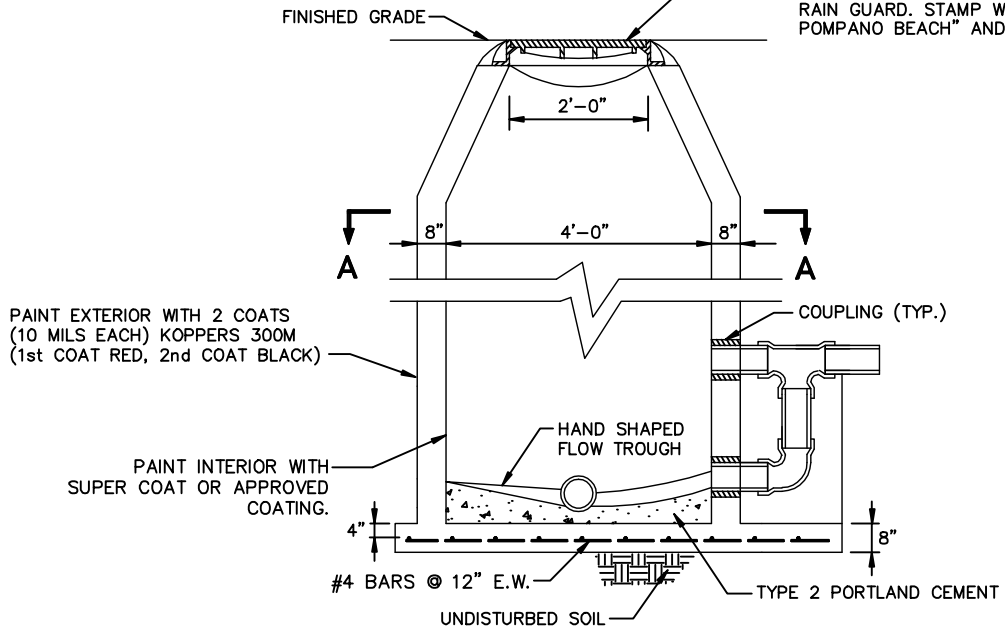


SECTION A-A

STANDARD CAST IRON MANHOLE FRAME AND COVER U.S. FOUNDRY AND MFG. CORP. DRAWING NO. 420 OR APPROVED EQUAL. TYPE "C" COVER WITH PLASTIC RAIN GUARD. STAMP WITH "CITY OF POMPANO BEACH" AND "SANITARY SEWER".



PAINT EXTERIOR WITH 2 COATS (10 MILS EACH) KOPPERS 300M (1st COAT RED, 2nd COAT BLACK)

PAINT INTERIOR WITH SUPER COAT OR APPROVED COATING.

TYPE "A" DROP MANHOLE

TO BE USED WHERE DROP IS 2 FEET OR MORE

ENGINEERING STANDARDS

REVISIONS		ENGINEERING DEPARTMENT CITY OF POMPANO BEACH	TYPE "A" DROP MANHOLE	
BY	DATE			
S.S.	JUNE 2005		APPROVED BY:	DATE: JUNE 1996
T.W.	11-2007			DWG. NO.
SCALE: N.T.S.			205-1	
		CITY ENGINEER		