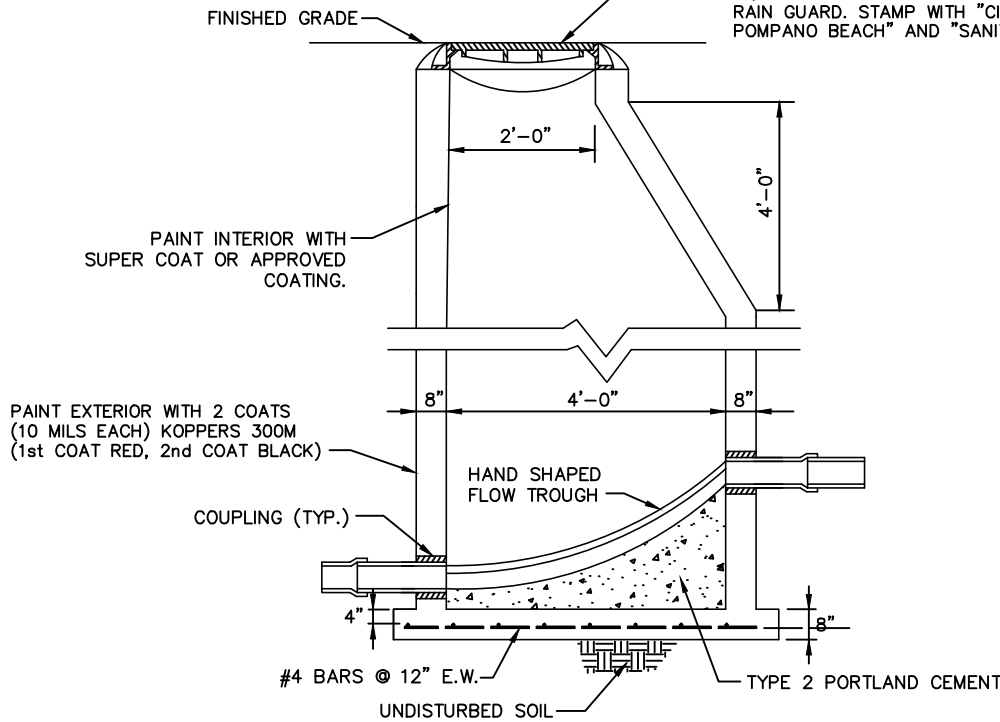


PLAN

STANDARD CAST IRON MANHOLE FRAME AND COVER U.S. FOUNDARY AND MFG. CORP. DRAWING NO. 420 OR APPROVED EQUAL. TYPE "C" COVER WITH PLASTIC RAIN GUARD. STAMP WITH "CITY OF POMPANO BEACH" AND "SANITARY SEWER".



TYPE "B" DROP MANHOLE 2011

TO BE USED WHERE DROP IS LESS THAN 2 FEET

ENGINEERING STANDARDS 2011

REVISIONS		ENGINEERING DEPARTMENT CITY OF POMPANO BEACH	TYPE "B" DROP MANHOLE	
BY	DATE		SCALE: N.T.S.	DATE: JUNE 1996
S.S.	JUNE 2005			
T.W.	11-2007	206-1		