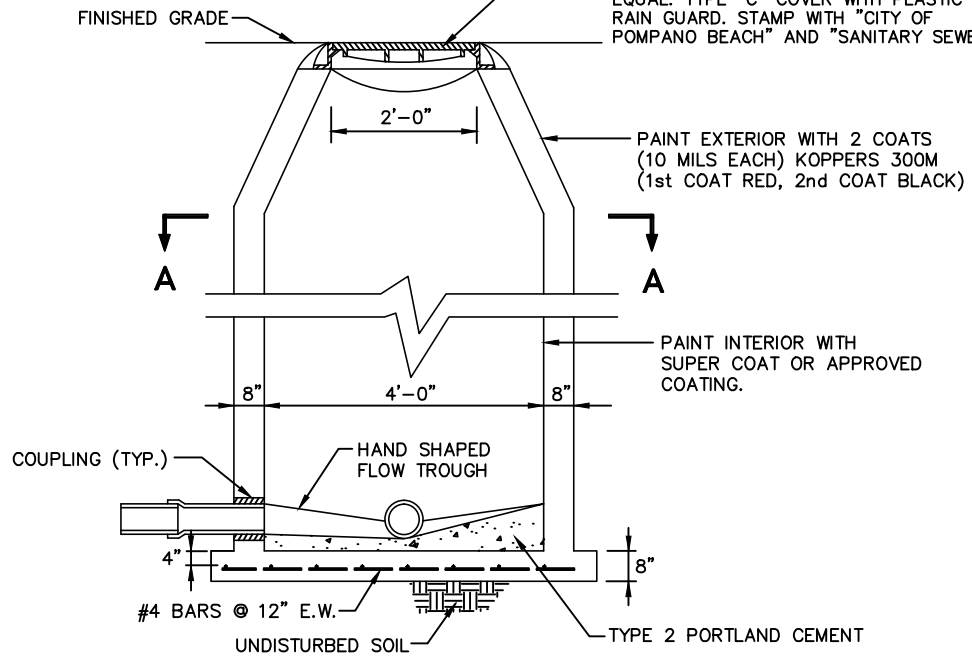


SECTION A-A

STANDARD CAST IRON MANHOLE FRAME AND COVER U.S. FOUNDRY AND MFG. CORP. DRAWING NO. 420 OR APPROVED EQUAL. TYPE "C" COVER WITH PLASTIC RAIN GUARD. STAMP WITH "CITY OF POMPANO BEACH" AND "SANITARY SEWER".



STANDARD MANHOLE

TO BE USED WHERE DEPTH EXCEEDS 4 FEET

ENGINEERING STANDARDS 2011

REVISIONS		ENGINEERING DEPARTMENT CITY OF POMPANO BEACH	STANDARD MANHOLE
BY	DATE		
S.S.	JUNE 2005		DATE: JUNE 1996 DWG. NO. 208-1
T.W.	11-2007		
SCALE: N.T.S.			