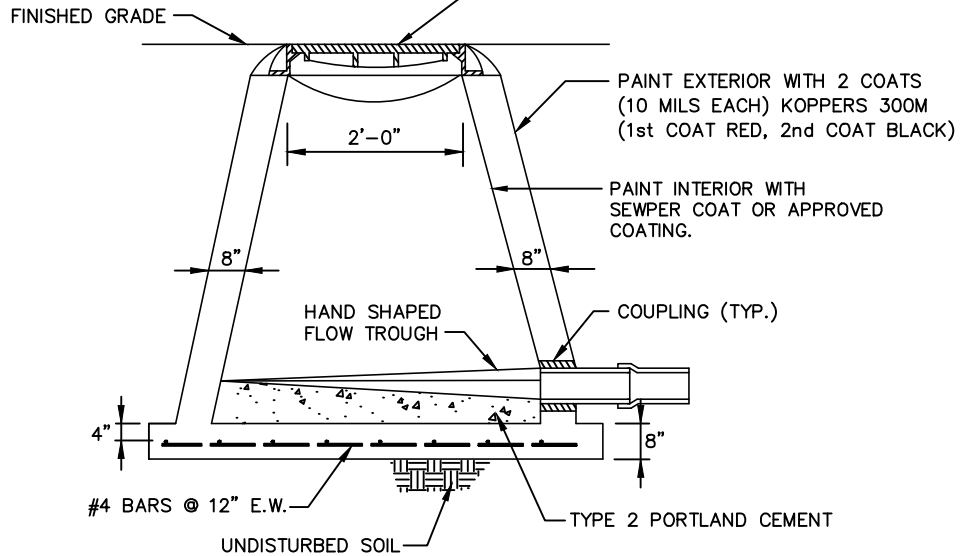


**PLAN**

STANDARD CAST IRON MANHOLE FRAME AND COVER U.S. FOUNDARY AND MFG. CORP. DRAWING NO. 420 OR APPROVED EQUAL. TYPE "C" COVER WITH PLASTIC RAIN GUARD. STAMP WITH "CITY OF POMPANO BEACH" AND "SANITARY SEWER".



**SHALLOW TYPE MANHOLE 2011**

TO BE USED WHERE DEPTH IS LESS THAN 4 FEET

**ENGINEERING STANDARDS 2011**

REVISIONS		ENGINEERING DEPARTMENT CITY OF POMPANO BEACH	SHALLOW TYPE MANHOLE	
BY	DATE		SCALE: N.T.S.	DATE: JUNE 1996 DWG. NO.
S.S.	JUNE 2005			
T.W.	11-2007			