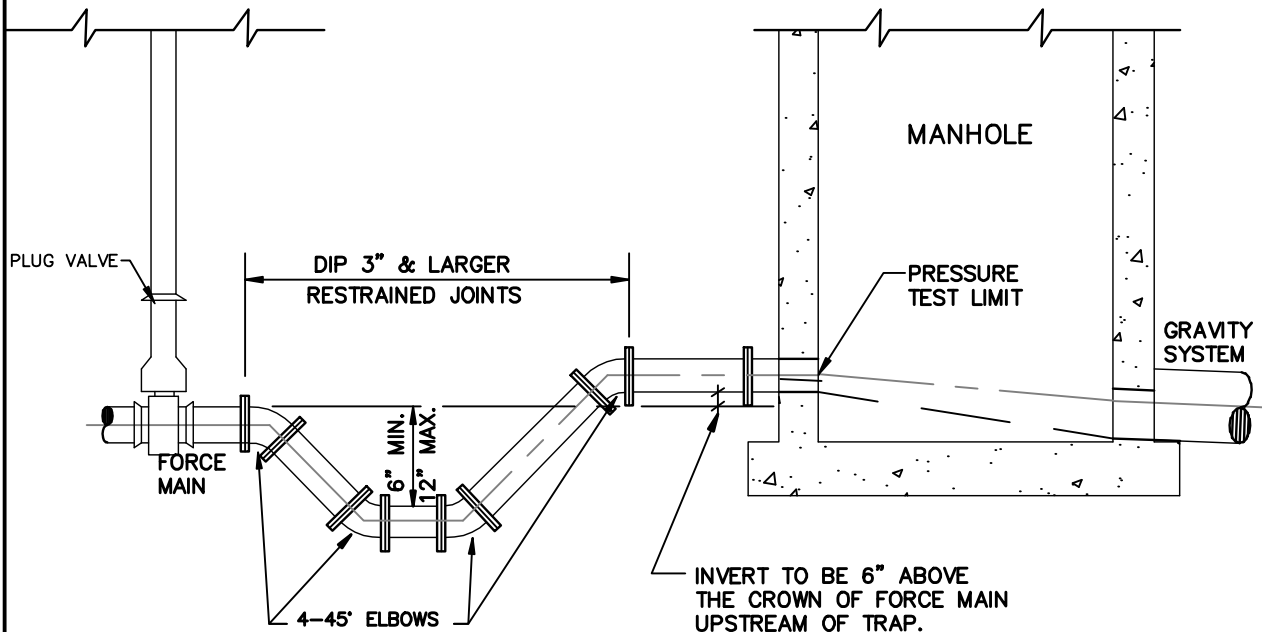


STANDARD CAST IRON MANHOLE FRAME AND COVER U.S. FOUNDRY AND MFG. CORP. DRAWING NO. 420 OR APPROVED EQUAL. TYPE "C" COVER WITH PLASTIC RAIN GUARD. STAMP WITH "CITY OF POMPANO BEACH" AND "SANITARY SEWER".

**PLAN**



**NOTES:**

1. FORCE MAIN TO ENTER MANHOLE AS CLOSE AS POSSIBLE TO 180° TO GRAVITY OUTLET.
2. THE INVERT LEVEL OF FORCE MAIN AT POINT OF ENTRY SHALL BE 6" ABOVE INVERT OF MANHOLE.
3. CORE ENTRY ONLY INTO EXISTING MANHOLES.
4. TRAP TO BE LOCATED PRIOR TO DROP INTO MANHOLE.
5. USE TWO 45° ELBOWS PAST TRAP IF ELEVATION DROP IS REQUIRED TO ENTER MANHOLE.
6. FLOW CHANNEL REQUIRED.
7. MANHOLE TO BE COATED AS SPECIFIED.

**FORCE MAIN CONNECTION MANHOLE**

**ENGINEERING STANDARDS**

REVISIONS		ENGINEERING DEPARTMENT CITY OF POMPANO BEACH	<b>FORCE MAIN ENTERING MANHOLE</b>	
BY	DATE			
S.S.	JUNE 2005		APPROVED BY:	DATE: JUNE 2005
T.W.	11-2007		HELEN GRAY, P.E.	DWG. NO.
			CITY ENGINEER	<b>211-1</b>
SCALE: N.T.S.				