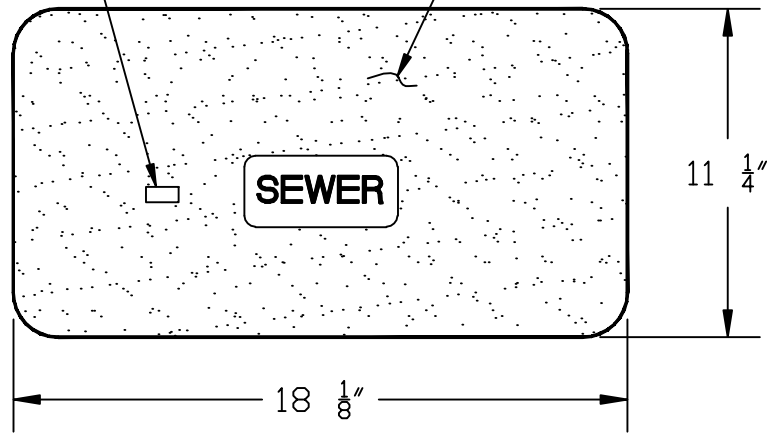
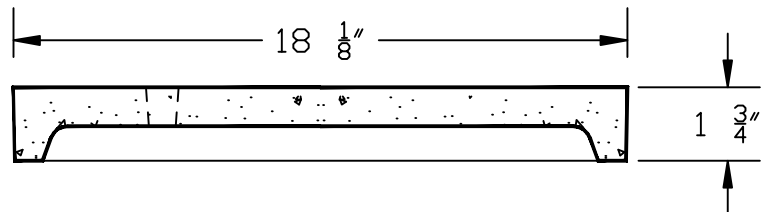


1/2" X 1" PICK HOLE (1X) SKID RESISTANT SURFACE



**TOP VIEW**



**SECTION**

**NOTE**

1. MATERIAL: FIBERGLASS REINFORCED POLYMER CONCRETE & FIBERGLASS REINFORCED POLYMER
2. COLOR: GREEN
3. LOAD RATING: A8 (ASTM C857)
4. LOGO: SEWER

PRODUCT RATING - TRAFFIC						
LOAD DESIGNATION	DESCRIPTION	DESIGN LOADS			TESTING	
		LIVE LB/WHEEL (2)	LIVE + IMPACT LB/WHEEL	SIDE PSF (3)	LOAD,LBS	SAFETY FACTOR
AASHTO H15	MEDIUM TRUCK TRAFFIC	12,000	15,600	N/A	27,000 (5)	2.25

**ENGINEERING STANDARDS**

REVISIONS		ENGINEERING DEPARTMENT CITY OF POMPANO BEACH	SEWER BOX AND COVER CDR Part No. WB04-1118-12 CDR Part No. WC02-1118-02	
BY	DATE			
S.S.	AUG. 2007		APPROVED BY:	DATE: AUGUST 2007 DWG. NO.
			CITY ENGINEER	212-2

SCALE: N.T.S.