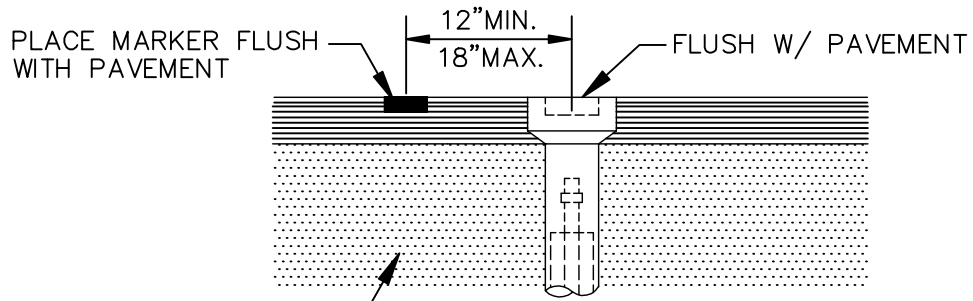
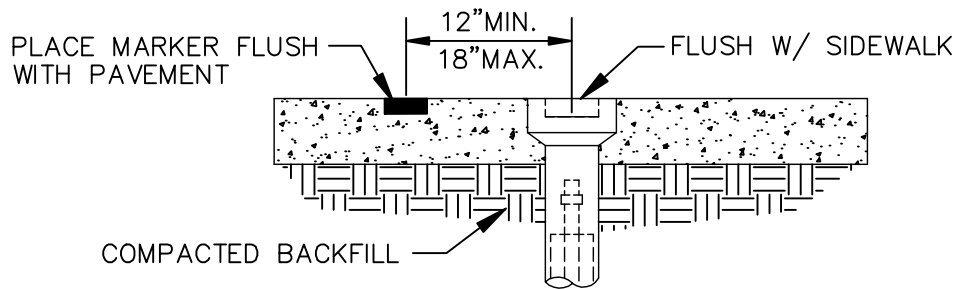


UNPAVED AREAS



PAVED AREAS



ON SIDEWALKS

# VALVE BOX SETTINGS

## ENGINEERING STANDARDS

REVISIONS		ENGINEERING DEPARTMENT CITY OF POMPANO BEACH	<b>VALVE BOX SETTINGS</b>	
BY	DATE			
S.S.	APRIL 2005		APPROVED BY:	DATE: JUNE 1996
				DWG. NO.
		SCALE: N.T.S.	CITY ENGINEER	<b>102-1</b>