

PROPOSED SITE DATA:

TOTAL SITE ACREAGE	53,688 S.F.	1.232 ACRES
PERVIOUS AREA (INCLUDING LANDSCAPED BUFFERS)	19,390 S.F.	0.44 ACRES (36%)
IMPERVIOUS AREA	34,298 S.F.	0.79 ACRES (64%)
NEW BUILDING	925 S.F.	.018 ACRES

LOCATION SKETCH
PART OF SECTIONS 20, 29-48-43
NOT TO SCALE

NO.	DATE	REVISION
1	12/14/99	REVIEW COMMENTS
2	07/12/00	REVIEW
3	03/29/00	REVIEW
4	11/08/00	BID SET
5	5/6/02	REV. PHASING LAYOUT & PAVING
6	5/20/02	REV. PARK LAYOUT & PAVING
7	6/7/02	REV. PAVING/DOCK INLETS 7 & 8
8	6/14/02	REVISE PER CITY
9	7/12/02	REVISE PER CITY
10		REVISE PER CITY

LEGEND

P.O.C.	POINT OF COMMENCEMENT	—	EXISTING SIGN
P.O.B.	POINT OF BEGINNING	—	PROPOSED SIGN
P.O.T.	POINT OF TERMINATION	—	WATER METER
B.C.R.	BROWARD COUNTY RECORDS	(M)	EXISTING FLORIDA POWER & LIGHT POLE
P.B.	PLAT BOOK	(P)	EXISTING POLE, TO BE REMOVED
(C)	CALCULATED	(C)	PROPOSED POLE
CL	CENTERLINE	—	EXISTING DOCK, TO BE REPLACED
R/W	RIGHT-OF-WAY	—	PROPOSED NEW DOCK
P.B.	PLAT BOOK	(P)	CONCRETE POWER POLE
ELEV.	ELEVATION	(E)	FIRE HYDRANT
Δ	INCLUDED ANGLE OF CURVE	(Δ)	EXISTING CURB INLET
R	RADIUS OF CURVE	(R)	PROP. DRAINAGE INLET STRUCTURE
T	TANGENT OF CURVE	(T)	PROP. DRAINAGE JUNCTION MANHOLE
L	LENGTH OF CURVE	(L)	DETAIL DESIGNATION PLAN SHEET NUMBER
SC	SECTION CORNER	(SC)	FINISHED SURFACE ELEVATION
1/4	SECTION 1/4 CORNER	(1/4)	PROPOSED ELEVATION CONTOUR
AC	AIR CONDITIONER	(AC)	DOCK FIRE CABINET
E	ELECTRIC SERVICE	(E)	
OH	EXISTING OVERHEAD WIRE	(OH)	
PC	PROPOSED CONCRETE	(PC)	
DC	DOCK	(DC)	

- NOTES:**
- DOCKING FACILITIES FOR 15 BOATS, TWO BOAT DOCKS ON WEST SIDE SHALL BE LESS THAN 32 FEET IN LENGTH.
 - ALL PAVEMENT MARKINGS & SIGNS SHALL CONFORM TO THE STANDARDS SET FORTH BY THE MANUAL ON UNIFORM TRAFFIC CONTROL DEVICES, LATEST EDITION.
 - ALL PAVEMENT MARKINGS WITHIN THE RIGHT OF WAY SHALL BE THERMOPLASTIC ON-SITE PAVEMENT MARKINGS SHALL BE PAINTED.
 - ALL WORK SHALL CONFORM TO CONDITIONS OF PERMITS. COPIES OF ALL PERMITS SHALL BE OBTAINED FROM THE CITY.
 - CONTRACTOR SHALL USE SILT SCREENS FOR WORK IN OR ADJACENT TO THE WATER. THE CONTRACTOR SHALL CONTROL RUNOFF AND RESULTING TURBIDITY UNTIL THE SITE IS COMPLETED.
 - THE SUBGRADE UNDER THE PROPOSED PAVEMENT SHALL BE PROOF ROLLED TO IDENTIFY WEAK AREAS AS PER SECTION 0210 3.03 "SUBGRADE PREPARATION" OF SPECIFICATIONS. UNSUITABLE SUBGRADE MATERIALS SHALL BE REPLACED WITH CLEAN IMPORTED FILL MATERIAL AS DIRECTED BY THE ENGINEER.

COORDINATE SCHEDULE TABLE

PT. No.	NORTHING	EASTING
1	701632.4290	800004.5403
2	701624.9112	799971.0049
3	701598.5942	799932.0637
4	701560.1182	799969.2077
5	701591.1126	800014.4594
6	701558.9721	800002.1920
7	701545.9565	799982.5745
8	701534.8724	799965.8680
9	701468.2100	800010.0962
10	701506.7332	800064.5570
11	701546.4545	800120.7941
12	701636.4487	800061.0861
13	701574.3296	800230.4081
14	701672.8066	800110.7114
15	701571.6370	800021.2811
16	701660.8002	800093.4534
17	701663.5938	800050.6546
18	701556.1390	799978.2177
19	701618.3193	800076.2054
20	701555.7082	800221.5626

BROWARD COUNTY DEPARTMENT OF PLANNING AND ENVIRONMENTAL PROTECTION
SURFACE WATER MANAGEMENT LICENSE NO. SWM 197-169-2
BY: [Signature] DATE: 8-28-2002

WARNING
GRADING & DRAINAGE REQUIREMENTS MUST BE CERTIFIED AND INSPECTED CONTACT D.P.E.P. SURFACE WATER MANAGEMENT AT 519-478-1278 FOR LETTER OF RELEASE.

PAVING AND DRAINAGE PLAN
SCALE: 1" = 20'

REVIEWED
POMPANO BEACH FIRE RESCUES
OFFICE OF FIRE PLAN REVIEW

DATE: 9/22/99
Drawn: LMG/REL
Checked: KRS
Manager: KRS
Dwg Name: HILFPDI.DWG

PROJECT No. 4220-30
SHEET No. 4

WILLIAMS, HATFIELD & STONER, INC.
CONSULTING ENGINEERS & PLANNERS • SURVEYORS
2101 NORTH ANDREWS AVENUE, SUITE 300, FORT LAUDERDALE, FL 33311
PHONE: (954) 566-8341 • FAX: (954) 565-5421
AUTHORIZATION No. 28

HILLSBORO INLET IMPROVEMENT PAVING AND DRAINAGE PLAN
PREPARED FOR: CITY OF POMPANO BEACH
LOCATED IN: POMPANO BEACH, BROWARD COUNTY, FLORIDA

STATE ROAD A-1-A
(OCEAN BLVD.)

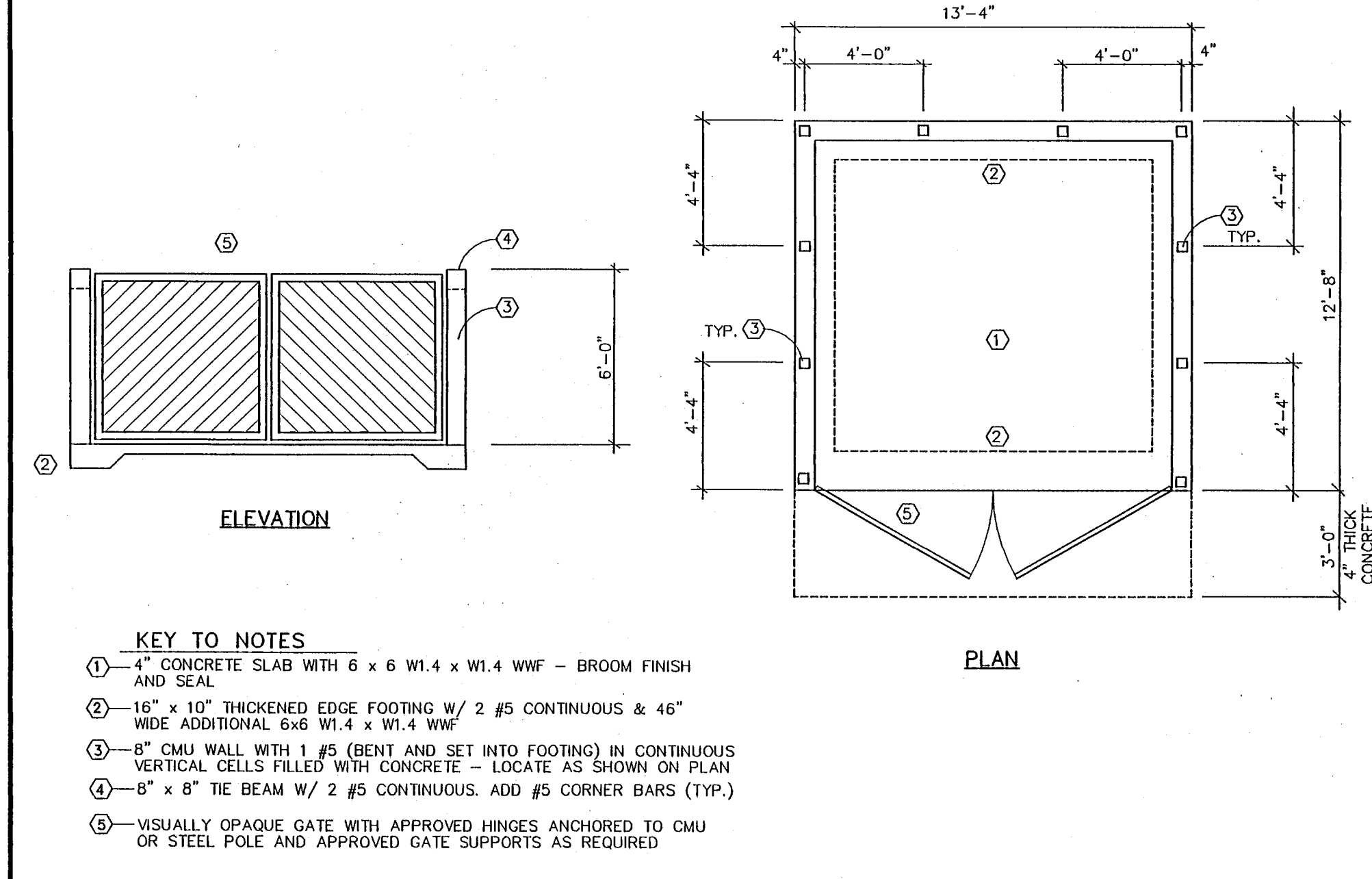
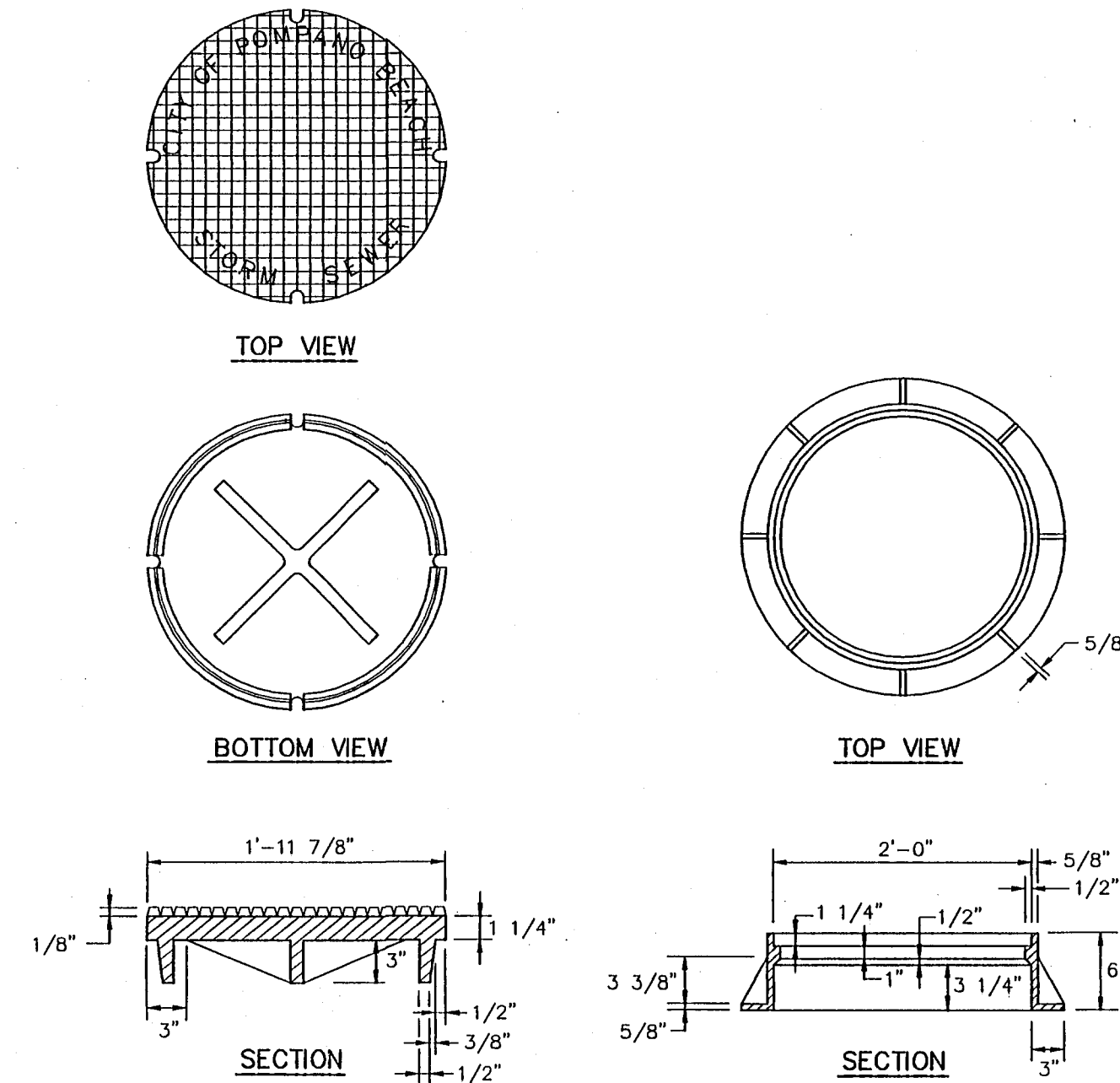
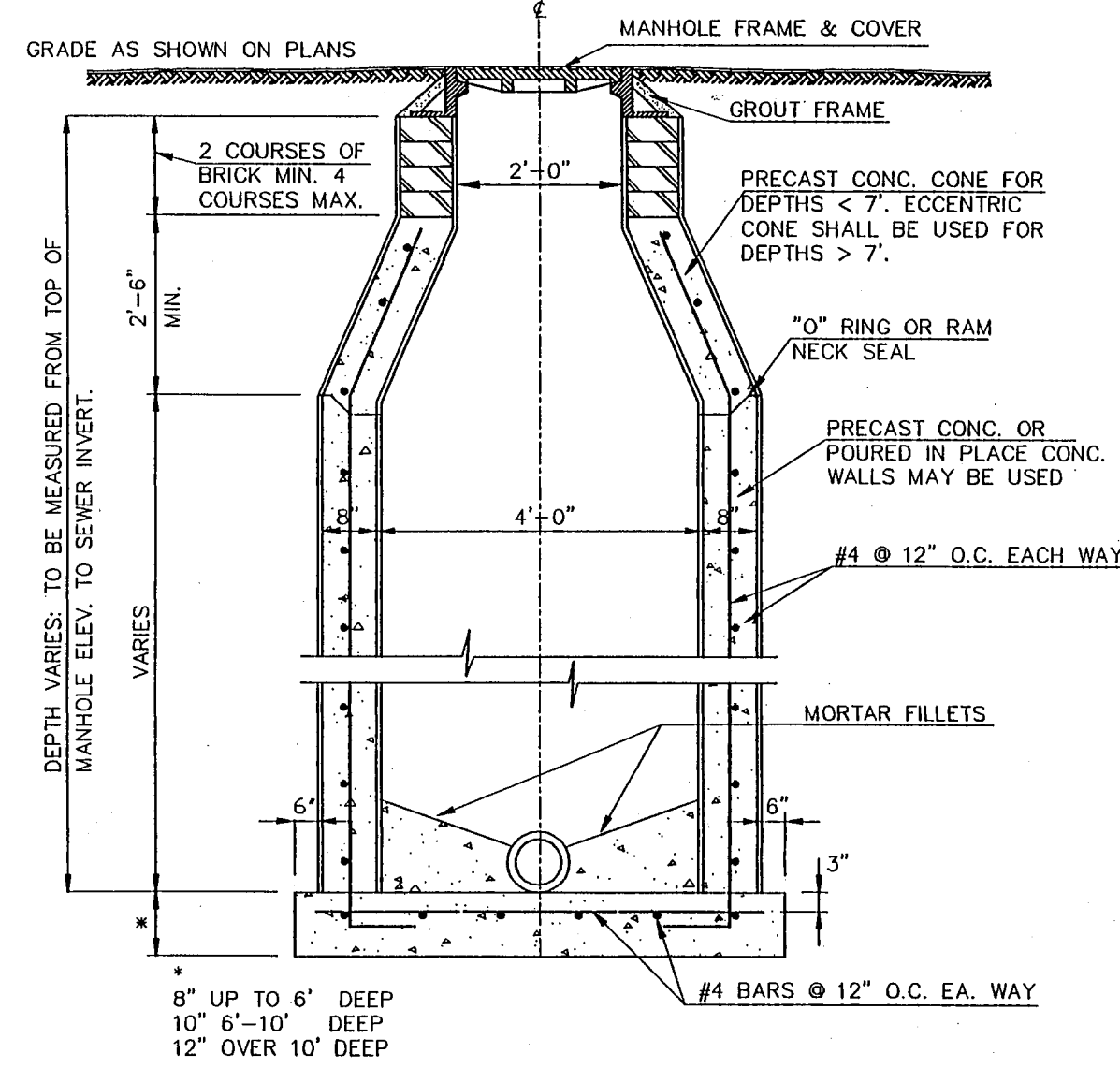
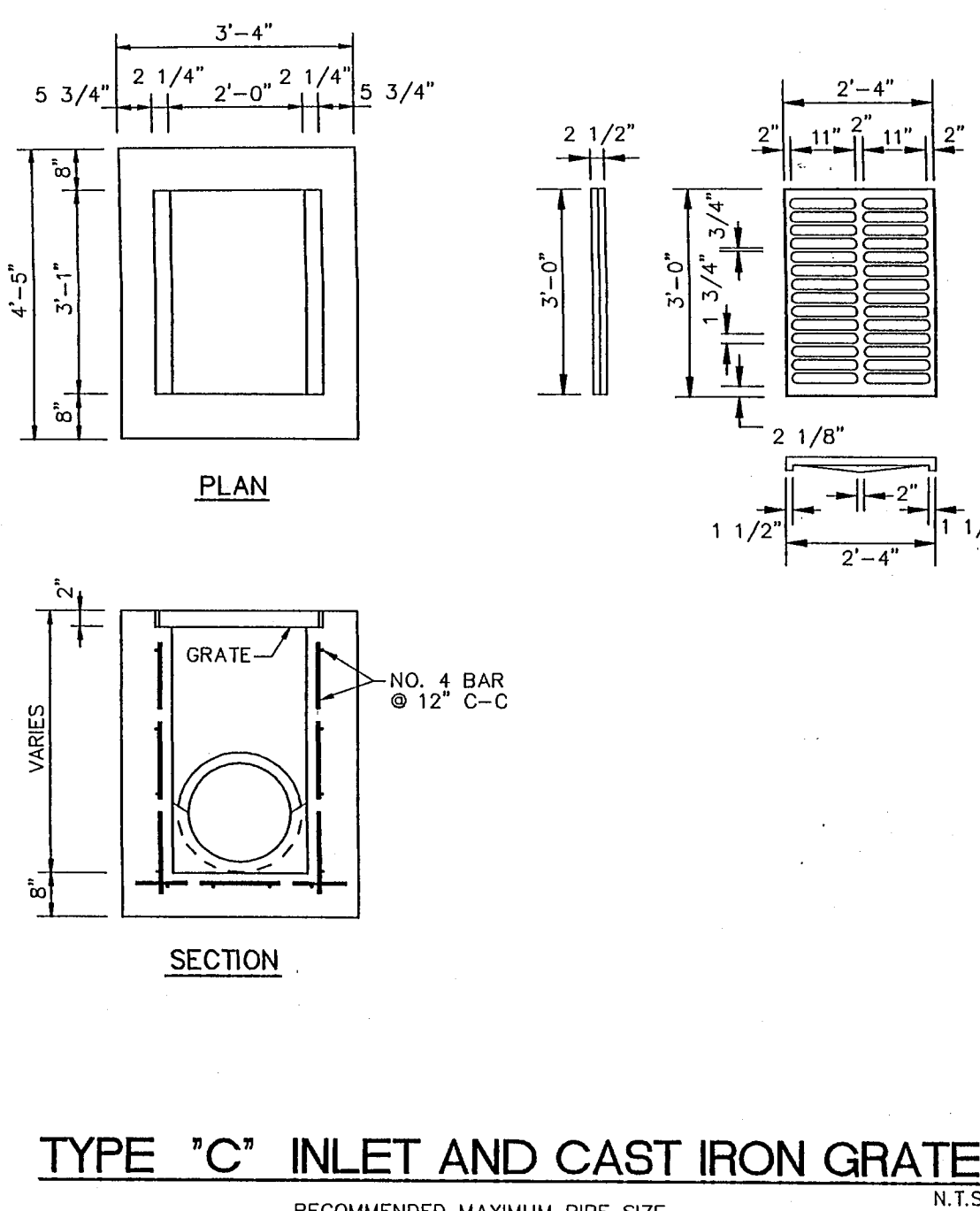
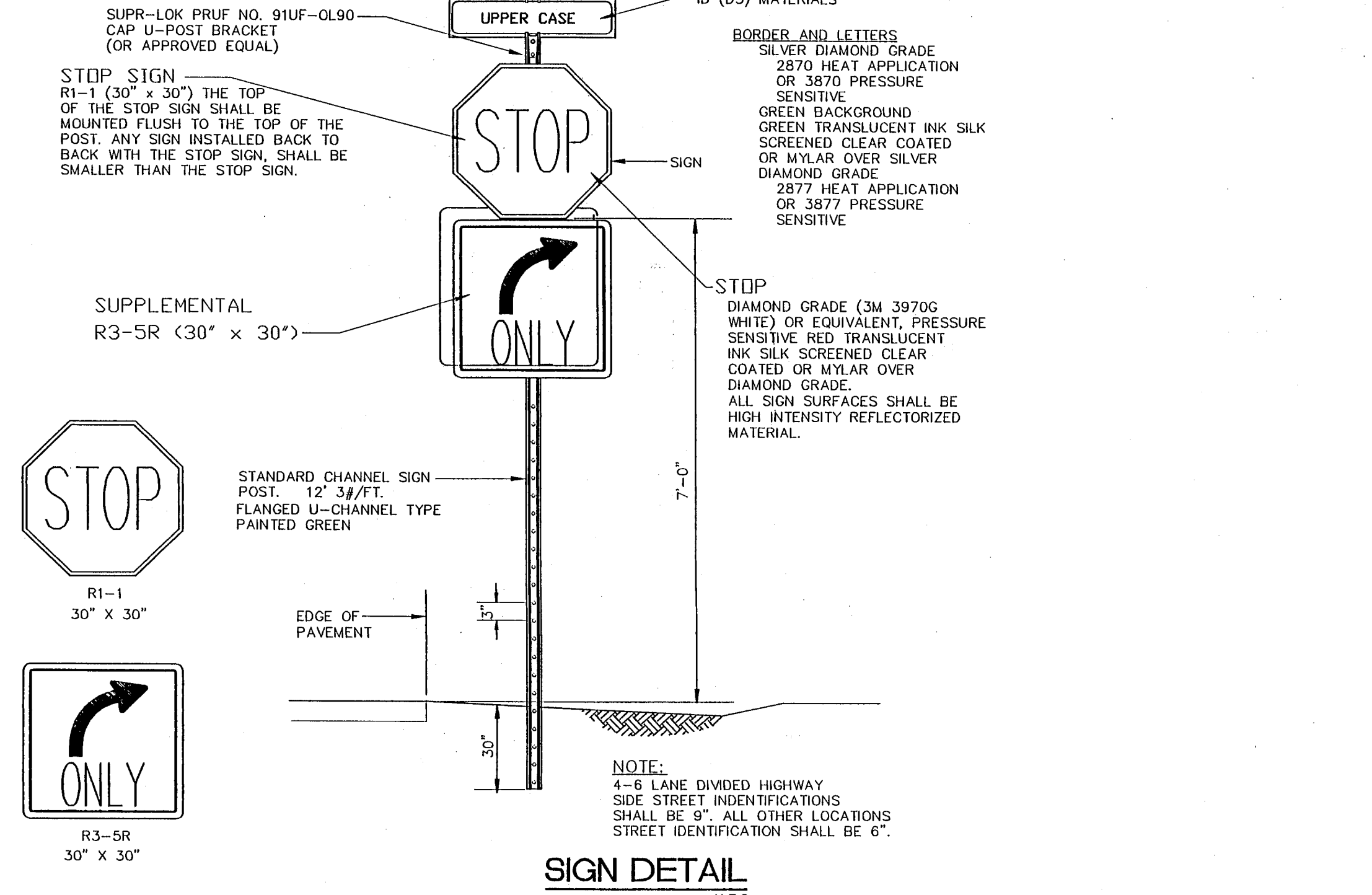
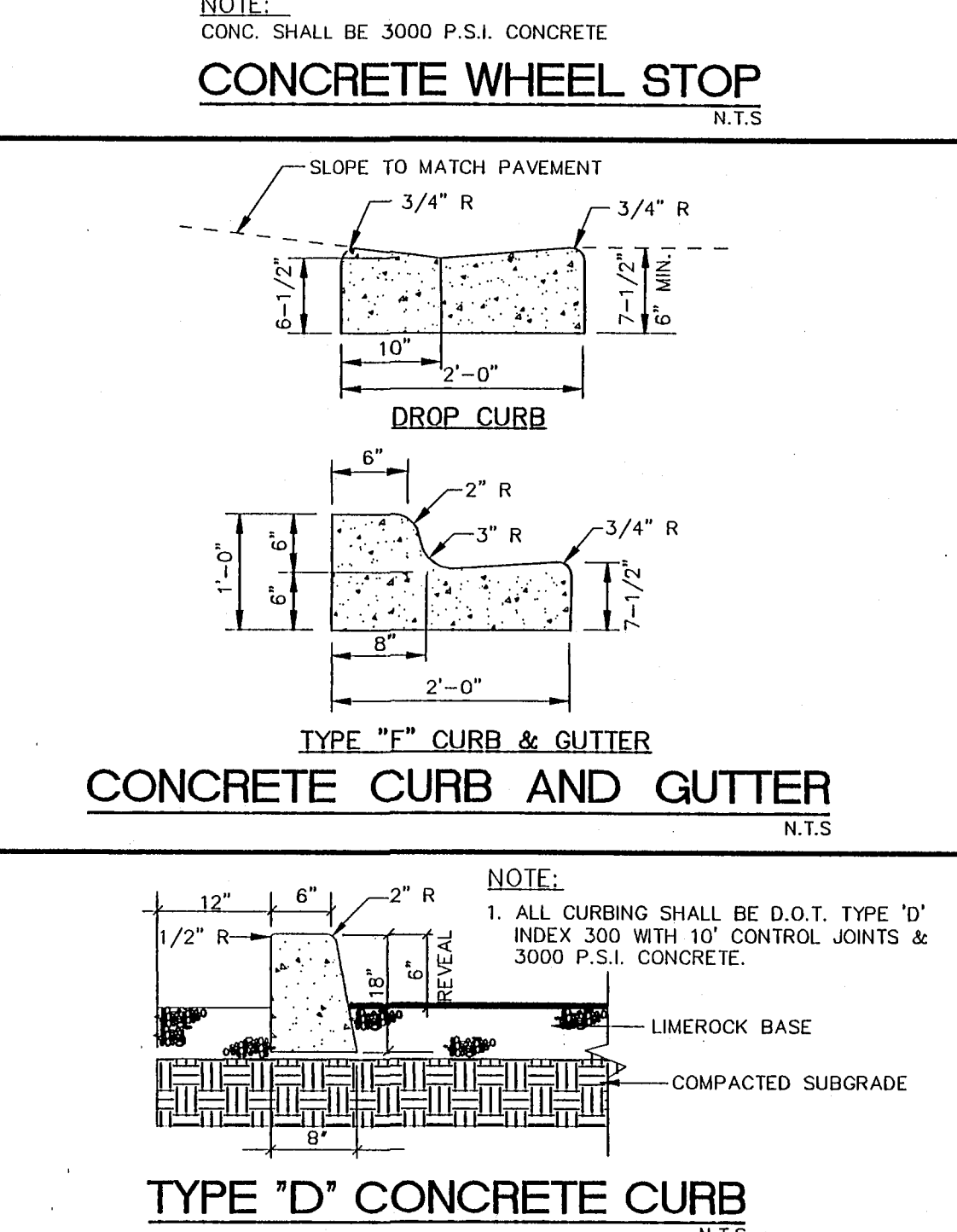
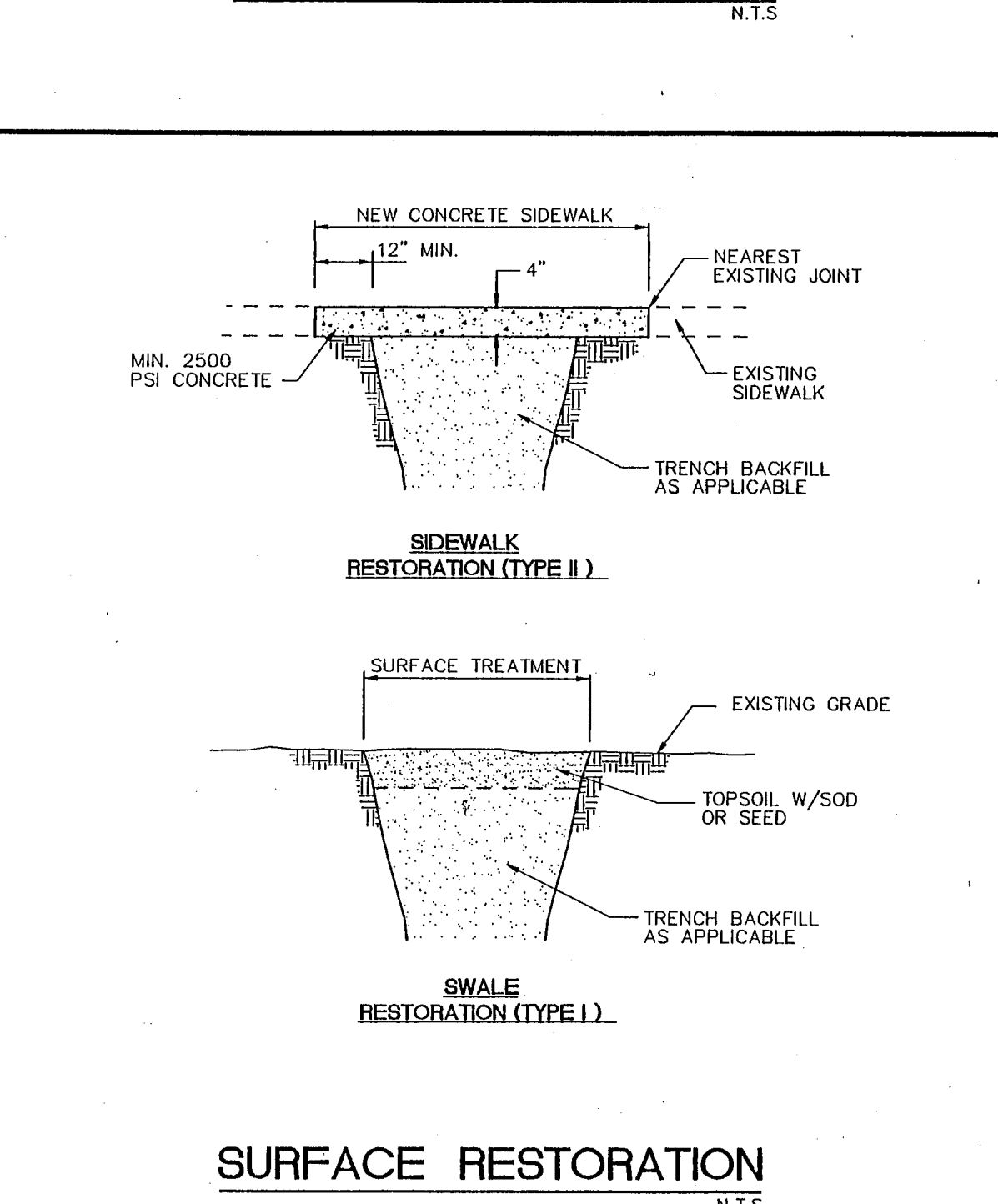
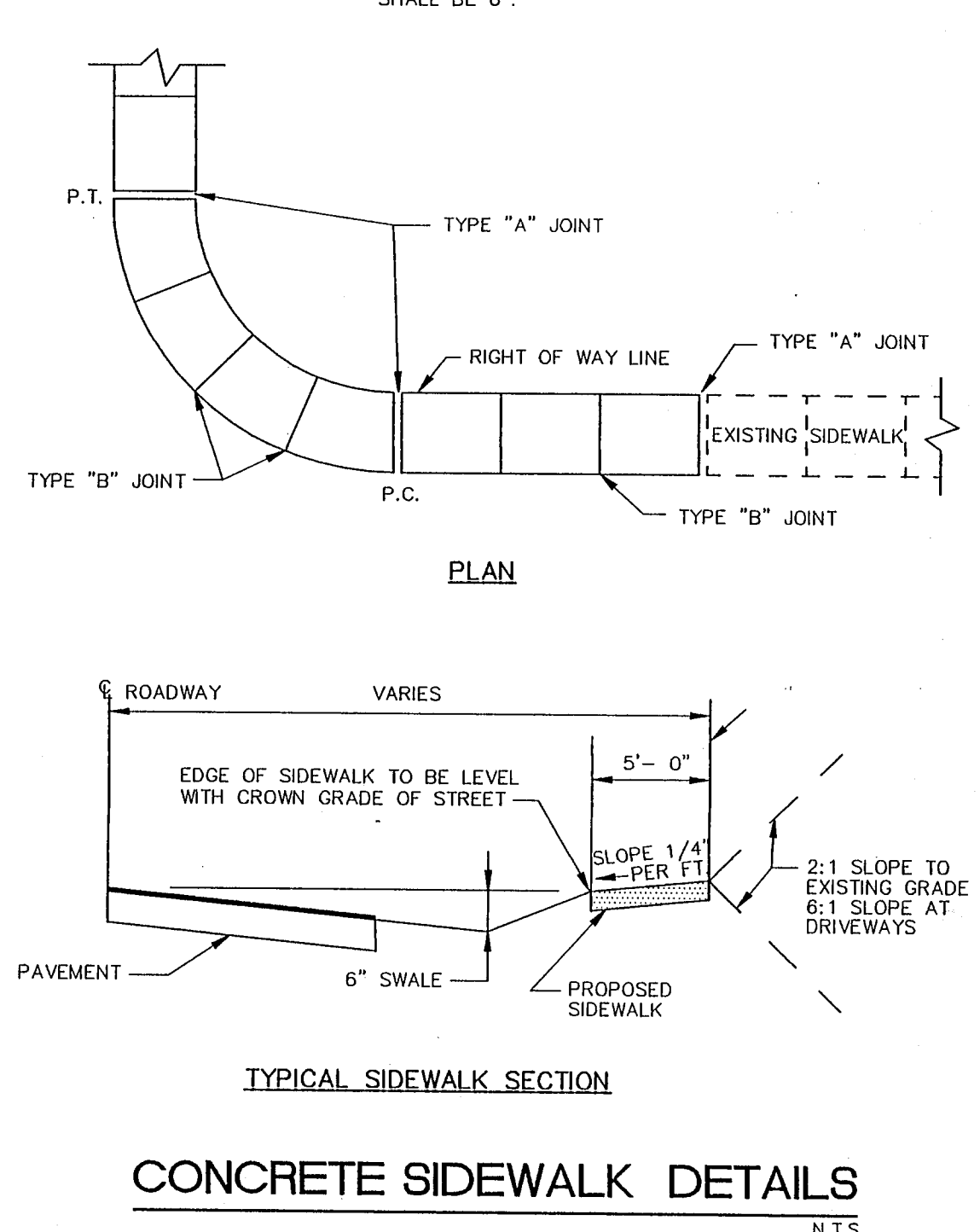
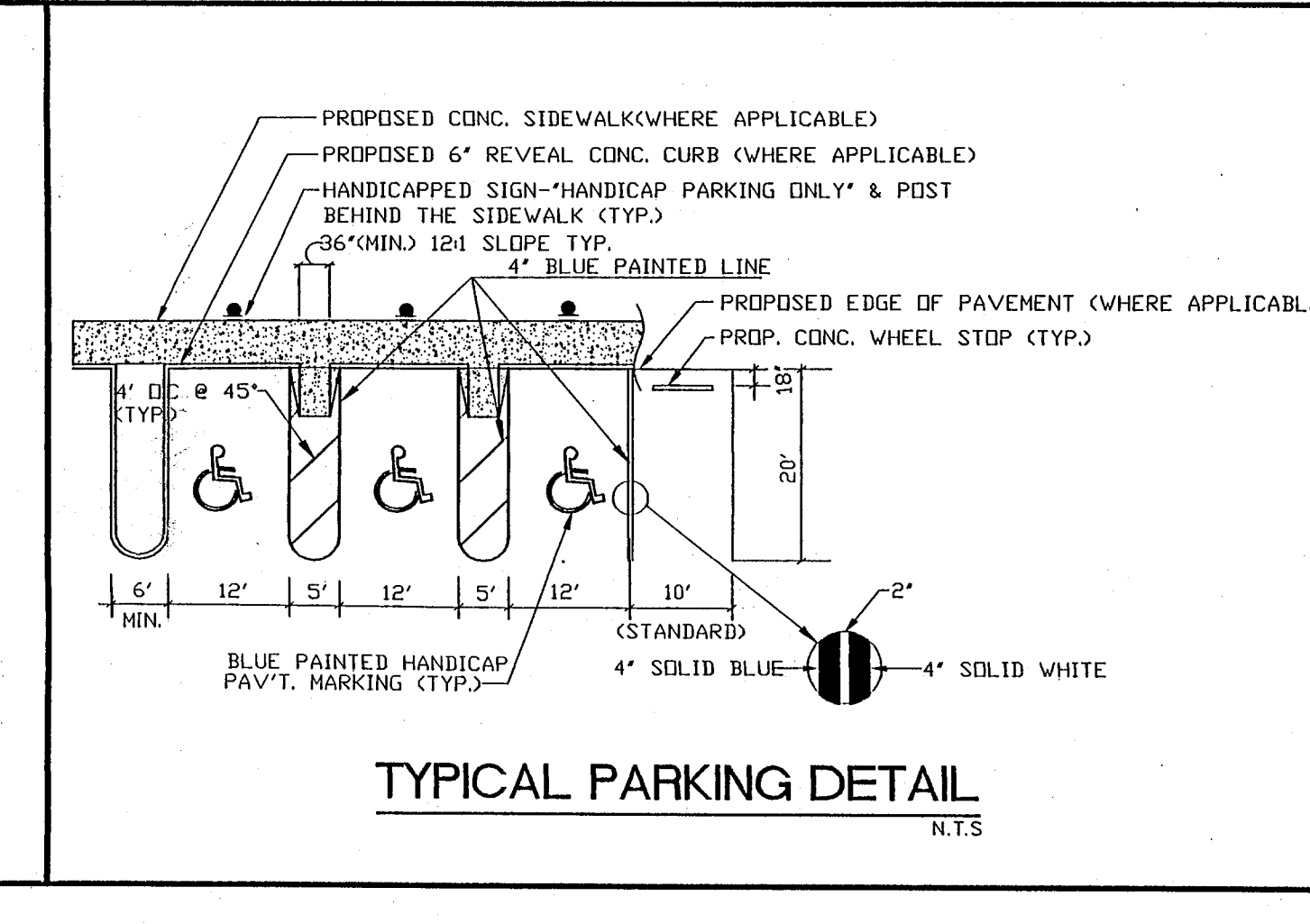
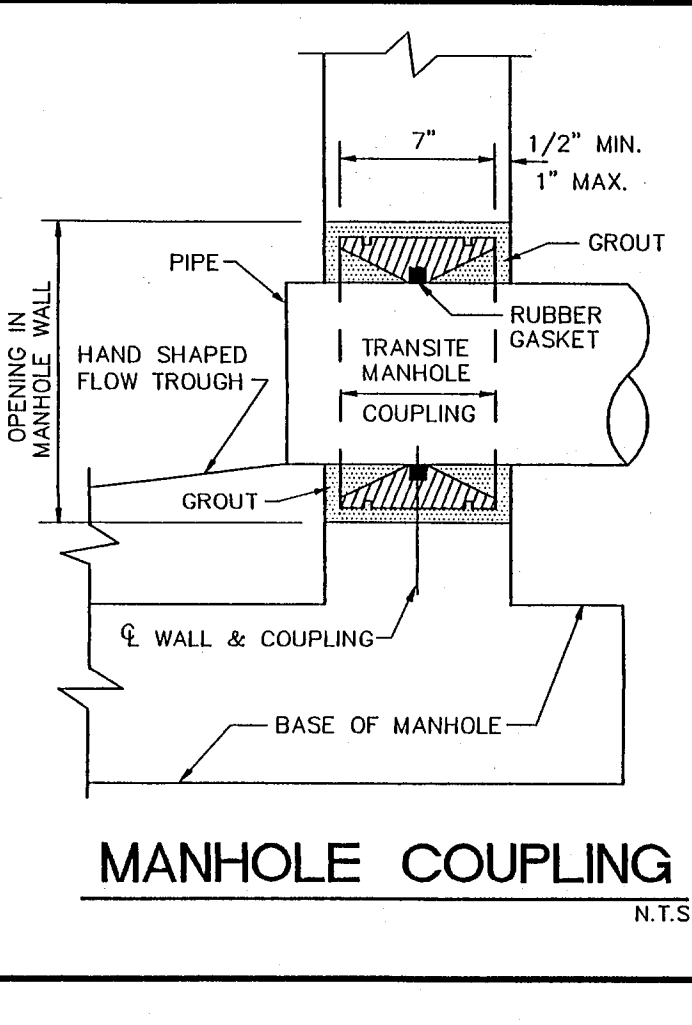
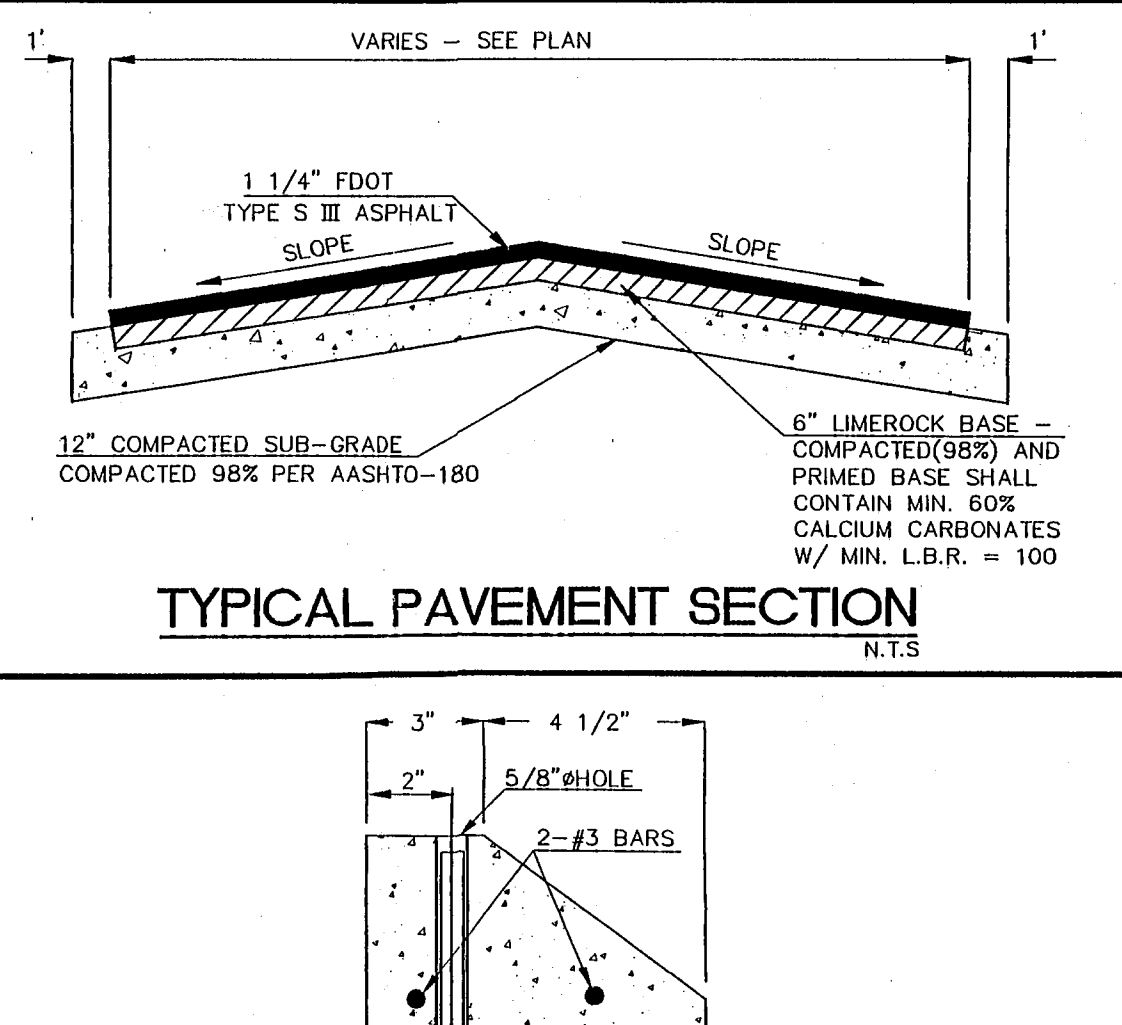
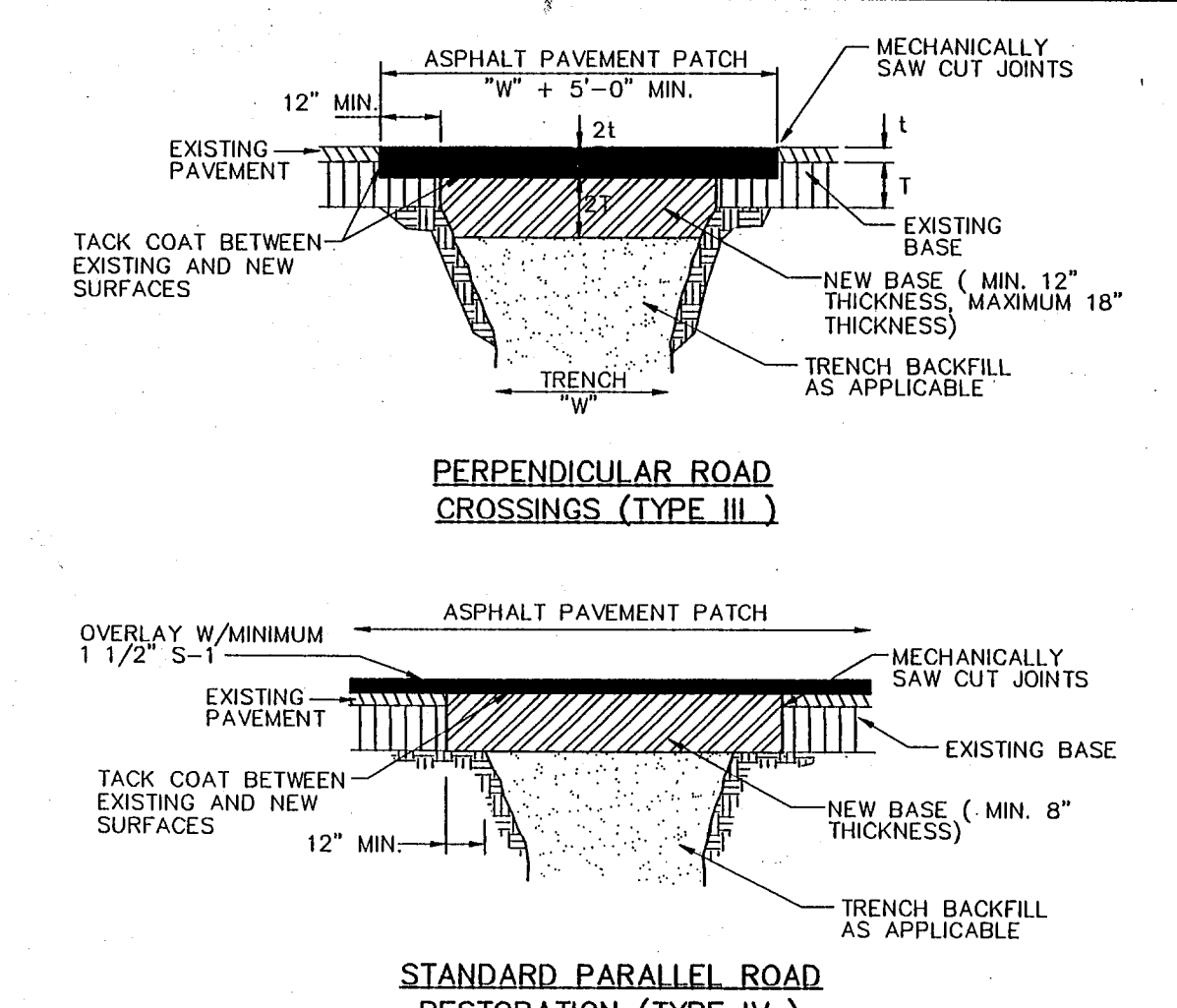
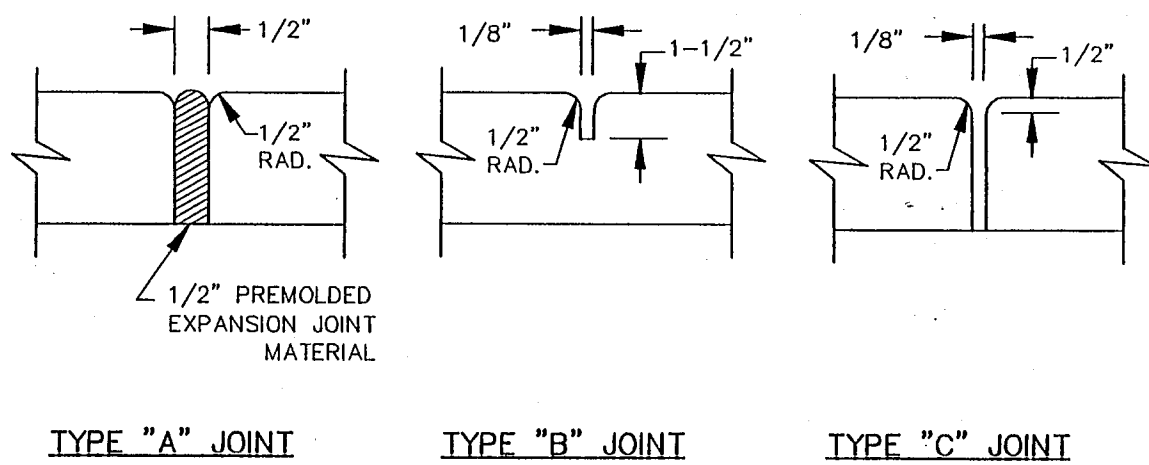


TABLE OF SIDEWALK JOINTS	
TYPE	LOCATION
"A"	JOINT SHALL BE PLACED AT P.C. AND P.T. OF CURVES, JUNCTION OF EXISTING SIDEWALKS, EVERY 60' ON NEW SIDEWALKS AND WHERE SIDEWALKS ABUT CONCRETE CURBS, DRIVEWAYS AND SIMILAR STRUCTURES.
"B"	JOINT SHALL BE PLACED 5'-0" CENTER
"C"	JOINT SHALL BE PLACED AT 20' INTERVALS

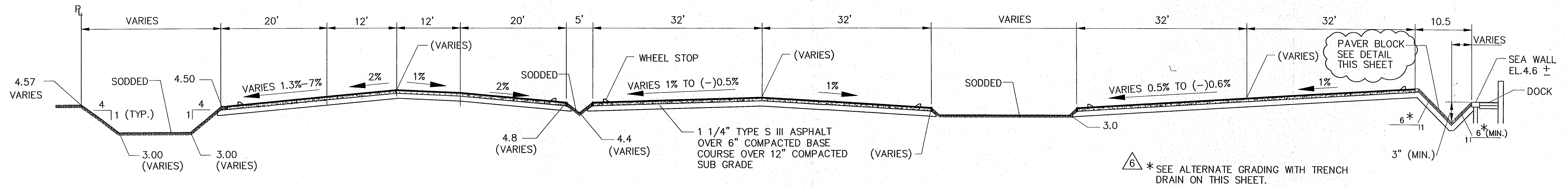


WILLIAMS, HATFIELD & STONER, INC.
CONSULTING ENGINEERS • PLANNERS • SURVEYORS
2101 NORTH ANDREWS AVENUE, SUITE 300, FORT LAUDERDALE, FL 33311
PHONE: (954) 566-8341 • FAX: (954) 565-5421

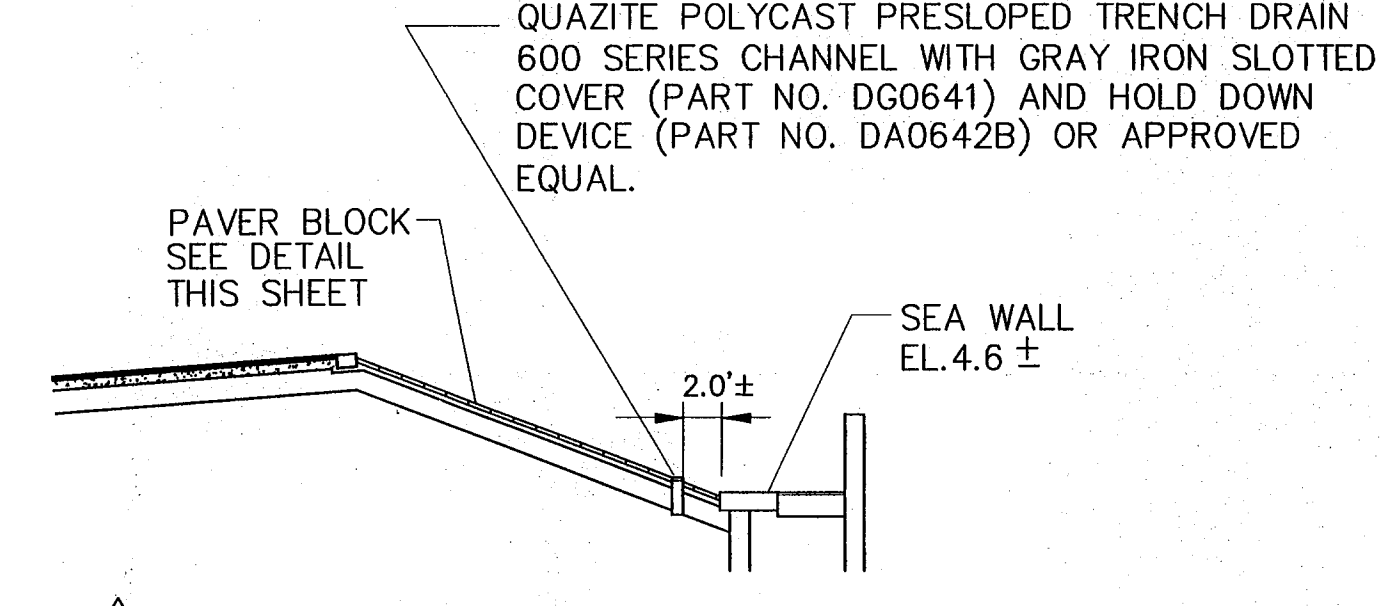
HILLSBORO INLET IMPROVEMENT - DETAILS
PREPARED FOR:
CITY OF POMPANO BEACH
LOCATED IN:
POMPANO BEACH, BROWARD COUNTY, FLORIDA

Date: 8/27/99
Drawn: JND
Checked: JND
Manager: JVO
Dwg Name: HILLS-DRN-DET.DWG

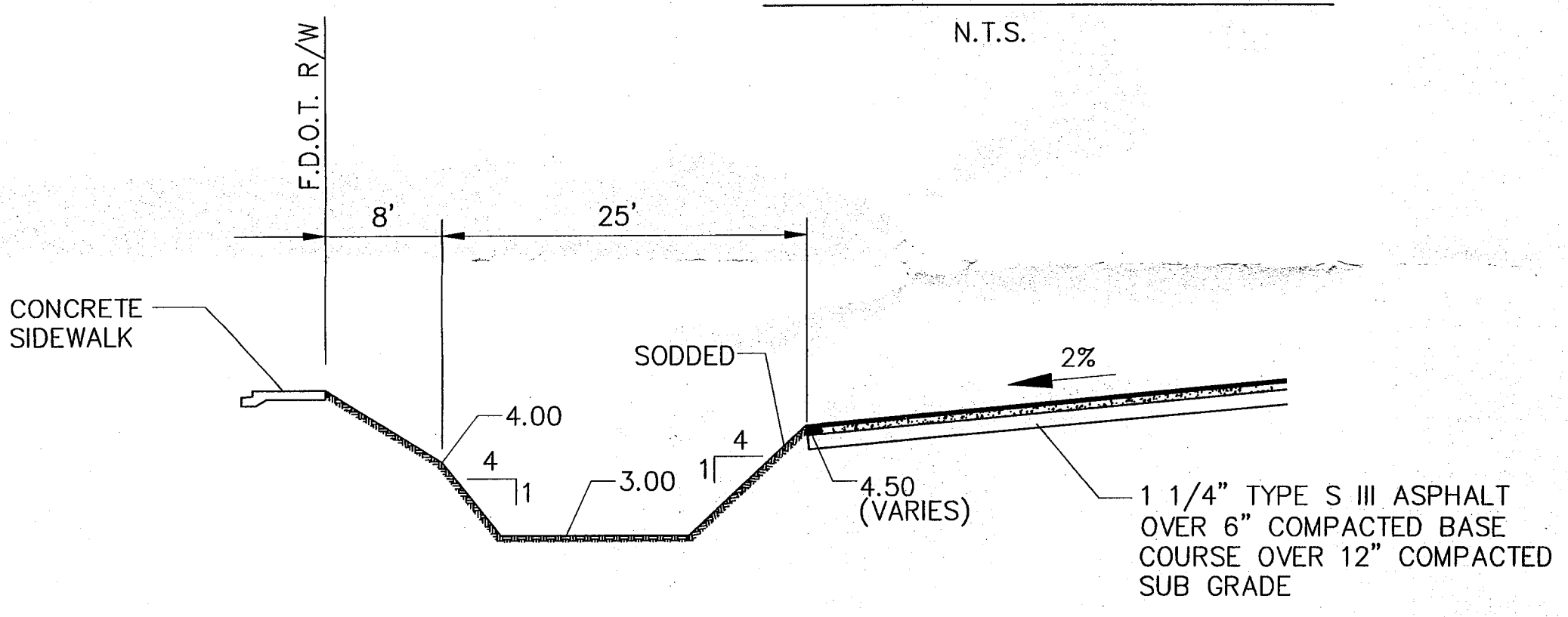
PROJECT No. **4220-30**
SHEET No. **10**



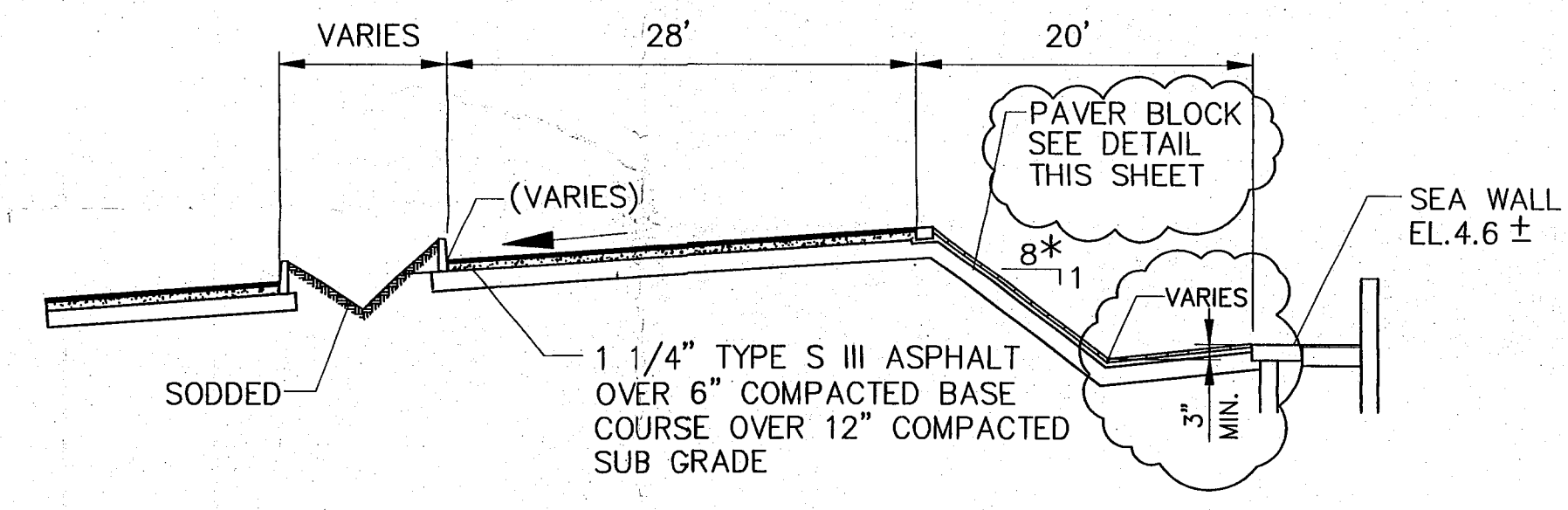
SECTION E-E
 12
 HORZ. 1" = 10'
 VERT. 1" = 2'



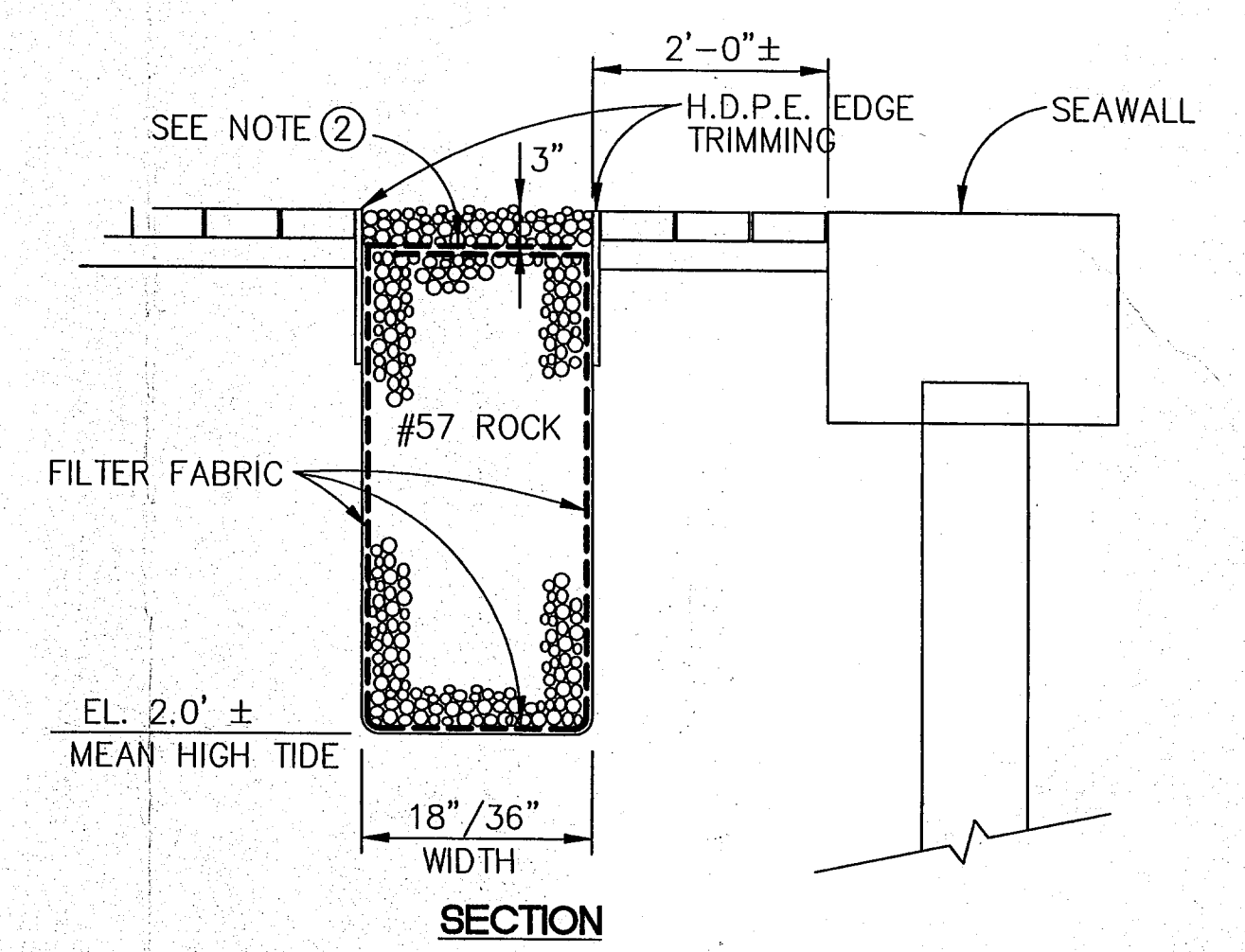
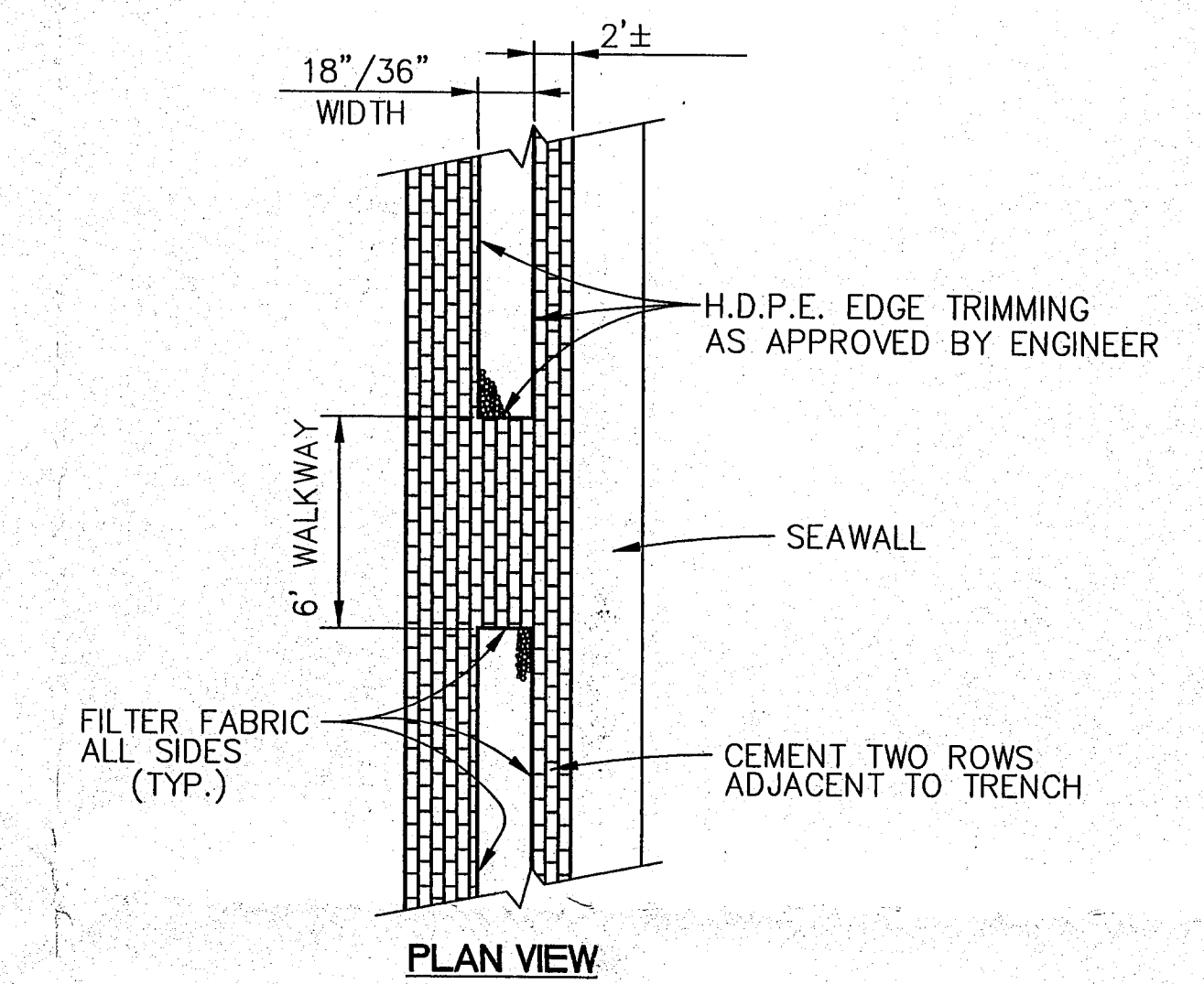
ALTERNATE PAVER BLOCK AREA GRADING WITH TRENCH DRAIN
 N.T.S.



SECTION F-F
 12
 HORZ. 1" = 10'
 VERT. 1" = 2'



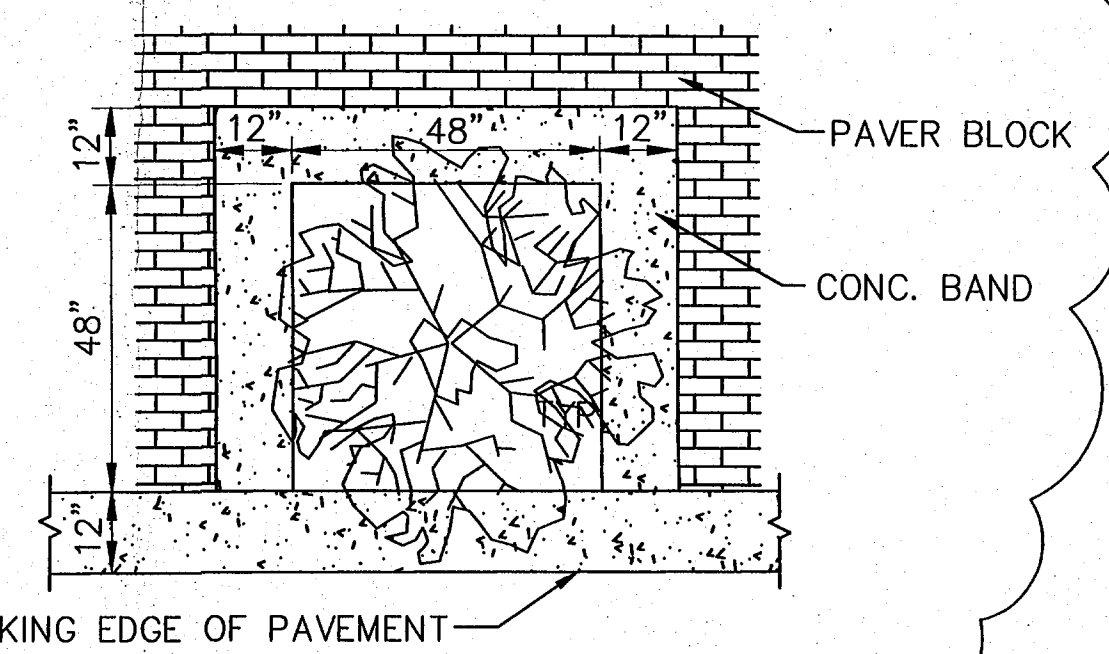
SECTION G-G
 12
 HORZ. 1" = 10'
 VERT. 1" = 2'



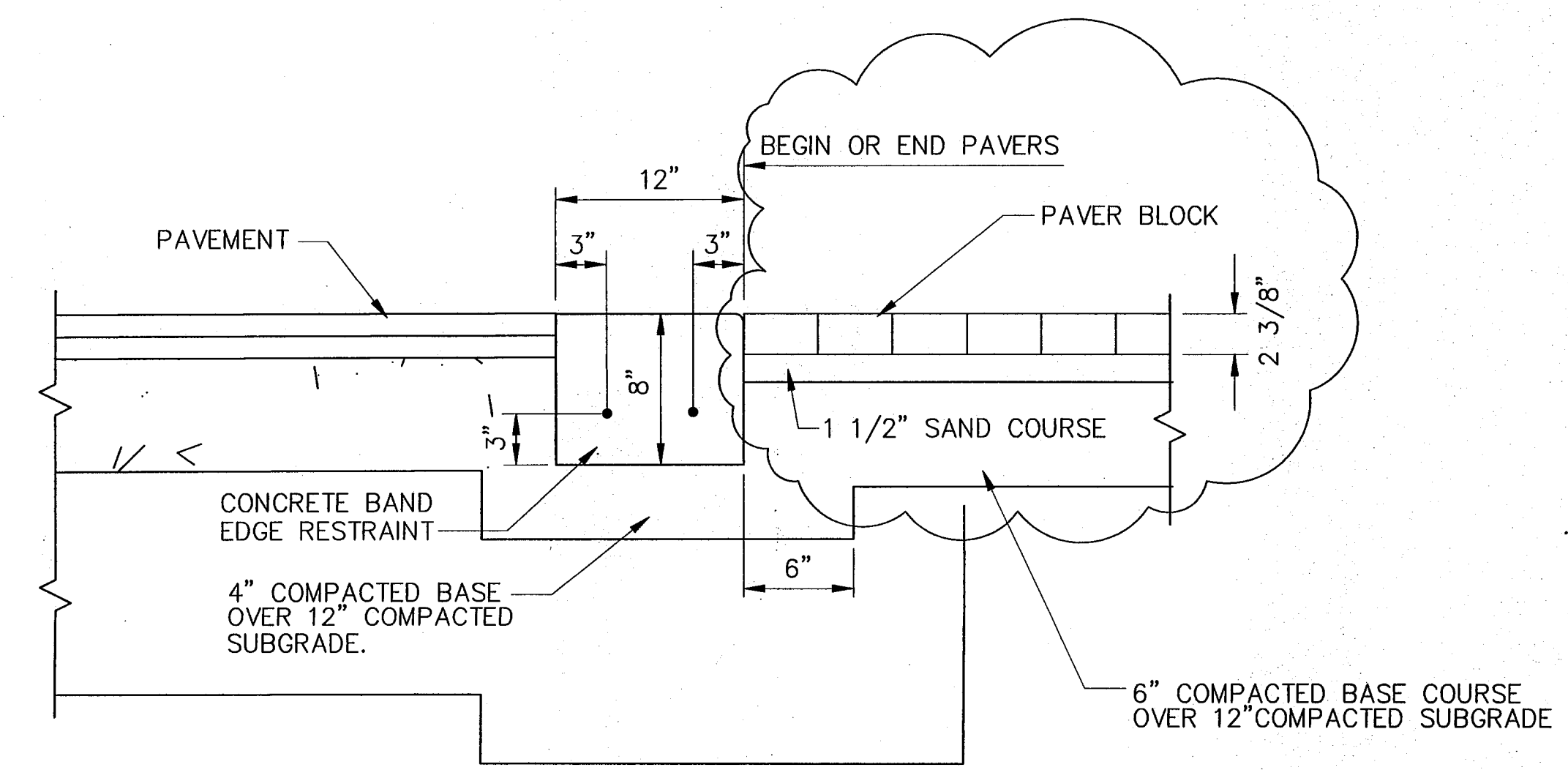
ALTERNATE 'C' PAVER AREA DRAINAGE ROCK FILLED TRENCH
 N.T.S.

- NOTES:
1. PROTECT EXISTING UTILITIES
 2. FILTER FABRIC TO BE OVERLAPPED FULL WIDTH OF TRENCH.
 3. CONNECT INLINE DRAINS #7 & 8 TO ROCK FILLED TRENCHES AND PLUG 15" HDPE PIPE AT JUNCTION MANHOLE IN LIEU OF CONSTRUCTING WEIR IN JUNCTION MANHOLE.
 4. INSTALL PAVERS ADJACENT TO ROCK FILLED TRENCH IN SUCH A WAY TO PREVENT SHIFTING OF PAVERS.
 5. SEE SHEET 4 FOR LOCATION OF 18" WIDE AND 36" WIDE TRENCHES.

- NOTES:
1. MASONRY SAND NOT PERMITTED FOR SAND COURSE
 2. INSTALL PAVER BLOCK PER MANUFACTURER'S SPECIFICATIONS.
 3. HEADER CURB TO BE FDOT CLASS I CONCRETE (MIN. 3000 P.S.I.)
 4. PROVIDE 2' x 2' HEADER CURB AROUND TREES WITHIN PAVER BLOCK AREA. SEE DETAIL BELOW.



TREE PLANTING AREA IN PAVERS



PAVER BLOCK DETAIL
 HEADER CURB

No.	DATE	Drawn	REVISION	BY
1	8/22/99	S.S.	FINISH ELEV.	
2	11/09/00	P.J.S.	BID SET	
3	5/6/02	P.J.S.	REV. PER CITY	P.J.S.
4	5/20/02	P.J.S.	REV. PARKING LOT	P.J.S.
5	6/7/02	P.J.S.	REV. PAVER BLOCK	P.J.S.
6	9/11/02	P.J.S.	ALT. TRENCH DRAIN	P.J.S.
7	1/30/03	P.J.S.	ALT. 'C' TRENCH	P.J.S.

WILLIAMS, HATFIELD & STONER, INC.
 CONSULTING ENGINEERS • PLANNERS • SURVEYORS
 2101 NORTH ANDREWS AVENUE, SUITE 300, FORT LAUDERDALE, FL 33311
 PHONE: (954) 566-8341 • FAX: (954) 565-5421
 AUTHORIZATION No. 28

HILLSBORO INLET IMPROVEMENT - CROSS SECTIONS
 PREPARED FOR:
CITY OF POMPANO BEACH
 LOCATED IN:
POMPANO BEACH, BROWARD COUNTY, FLORIDA

DATE:	9/22/99	Drawn:	P.J.S.
Checked:	J.W.D.	Manager:	J.W.D.
Dwg Name:	XSECTIONS.DWG		
PROJECT No.	4220-30		
SHEET No.	12		