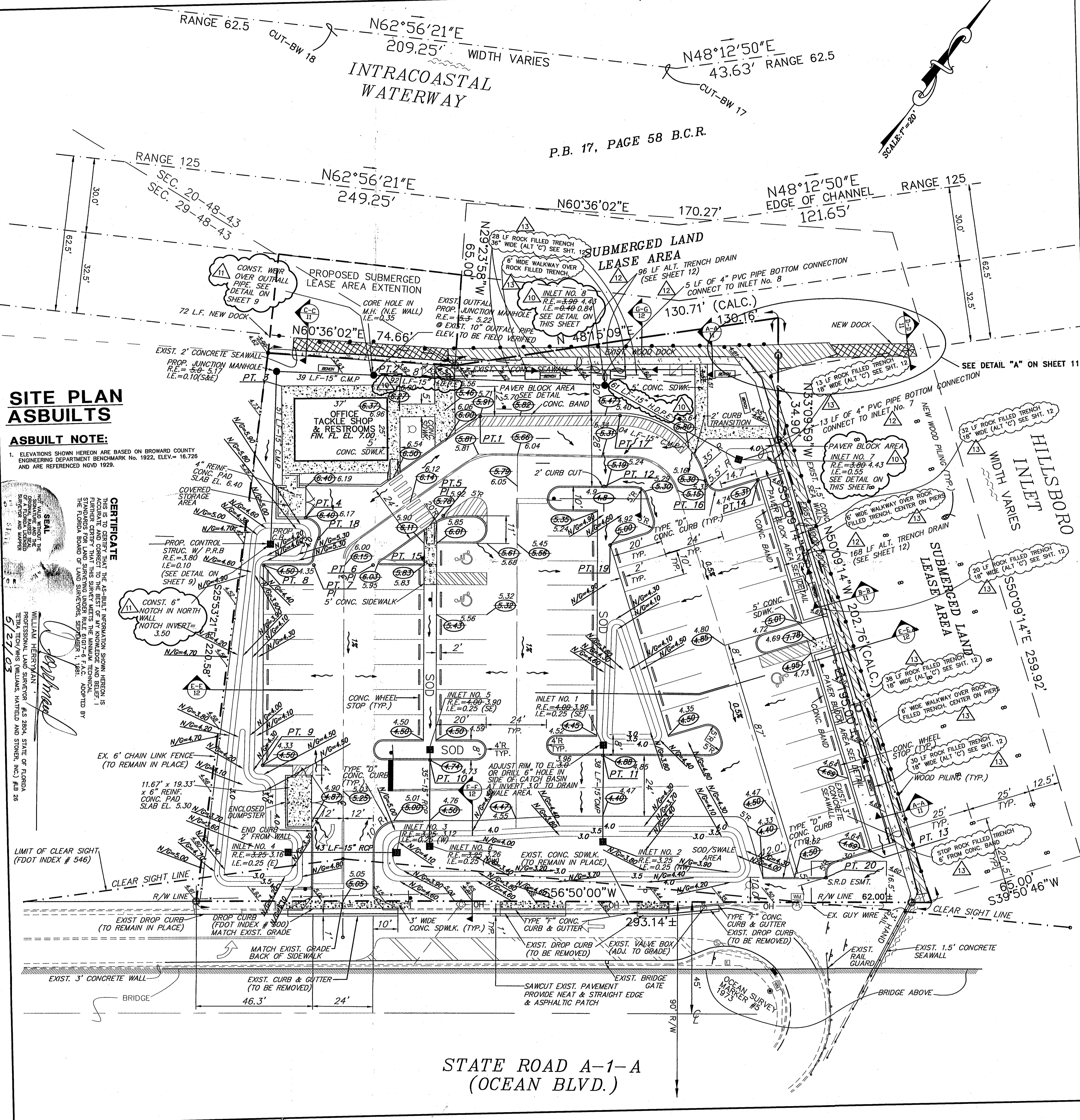


P.B. 17, PAGE 58 B.C.R.



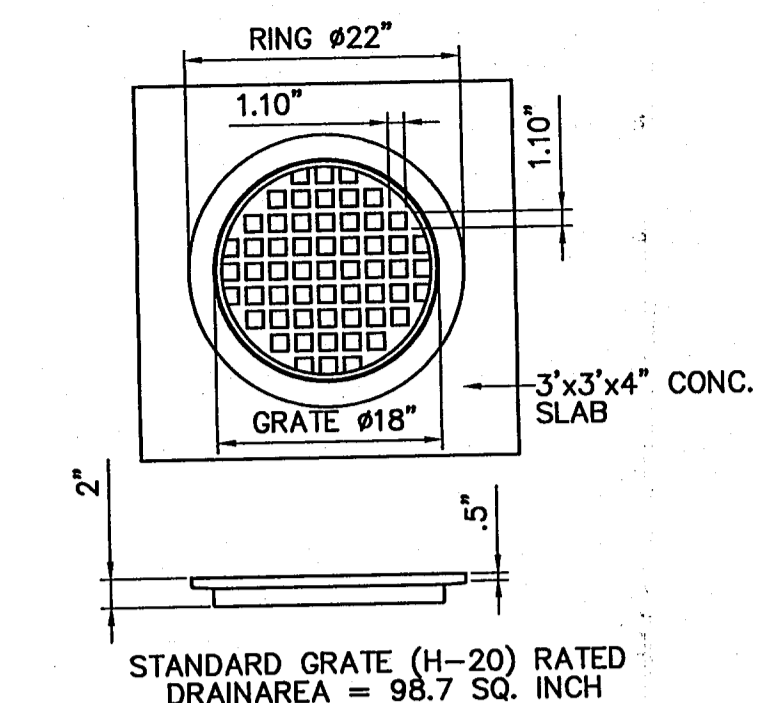
**SITE PLAN ASBULTS**

**ASBULT NOTE:**  
 1. ELEVATIONS SHOWN HEREON ARE BASED ON BROWARD COUNTY ENGINEERING DEPARTMENT BENCHMARK No. 1922, ELEV. = 16.725 AND ARE REFERENCED NVD 1929.

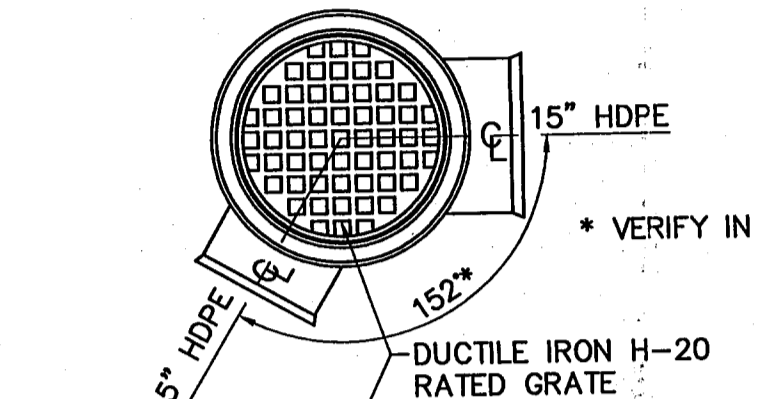
**CERTIFICATE**  
 THIS IS TO CERTIFY THAT THE AS-BUILT INFORMATION SHOWN HEREON IS THE RESULT OF A VISUAL INSPECTION OF THE PROJECT AND THAT THE INFORMATION IS TRUE AND CORRECT TO THE BEST OF MY KNOWLEDGE AND BELIEF. I AM NOT PROVIDING ANY WARRANTY, EXPRESS OR IMPLIED, FOR THE ACCURACY OF THE INFORMATION SHOWN HEREON. THE FLORIDA BOARD OF LAND SURVEYORS, SEPTEMBER 1, 1981.

WILLIAM HERSTAN  
 PROFESSIONAL LAND SURVEYOR, #S 2904, STATE OF FLORIDA  
 TERRA TECH, SHMS WILLIAMS, HATFIELD AND STONER, INC. #B 28  
 6/27/03

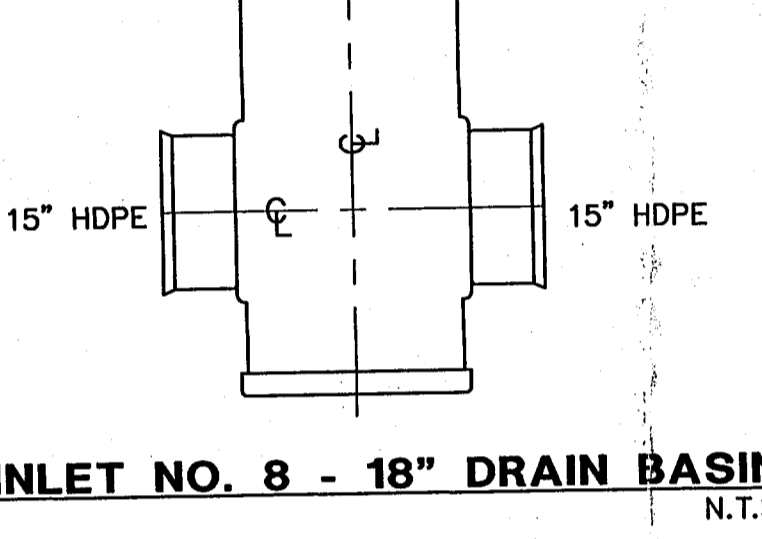
MATERIAL: DUCTILE IRON QUALITY: MATERIAL SHALL CONFORM TO ASTM A48-CLASS 30B PAINT: CASTINGS ARE FURNISHED WITH A BLACK PAINT



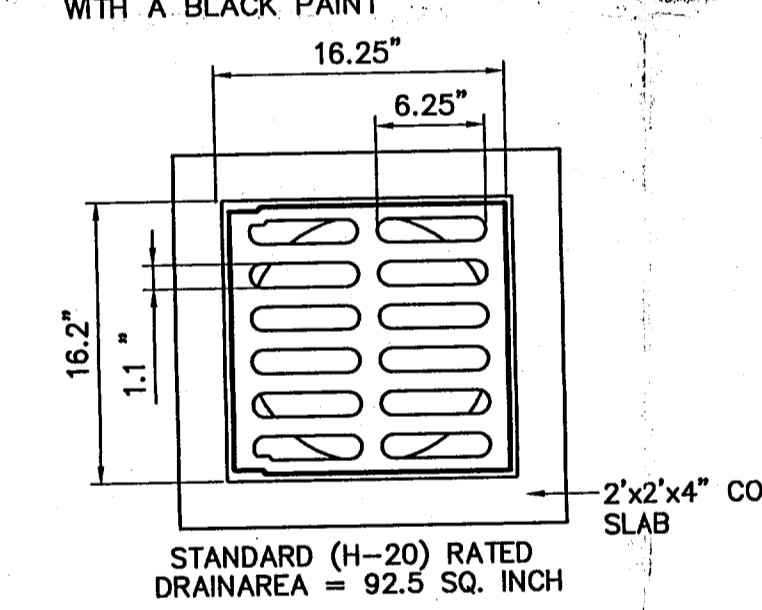
**18" DUCTILE IRON GRATE** N.T.S.



**INLET NO. 8 - 18" DRAIN BASIN** N.T.S.



**15" CAST IRON GRATE** N.T.S.



**INLET NO. 7 - 15" INLINE DRAIN** N.T.S.

NO.	DATE	REVISION	COMMENTS
1	12/14/99	REVIEW	
2	01/17/00	REVIEW	
3	03/29/00	BID SET	
4	11/09/00	REV. PER PLAN LAYOUT & HANG	P.S.
5	5/9/02	REV. PER PLAN LAYOUT & HANG	P.S.
6	5/20/02	REV. PER PLAN LAYOUT & HANG	P.S.
7	6/7/02	REV. PER CITY	P.S.
8	6/14/02	REV. PER CITY	P.S.
9	7/12/02	MOD. INLET 7 & 8	P.S.
10	7/26/02	ADD WEIR/NOTCH	LMG
11	8/12/02	ADD ALT. TRENCH	P.S.
12	9/11/02	ADD ALT. TRENCH	P.S.
13	1/20/03	ADD ALT. TRENCH	P.S.
			DATE
			REVISION

**LOCATION SKETCH**  
 PART OF SECTIONS 20, 29, 34, 35, 36, 37, 38, 39, 40, 41, 42, 43, 44, 45, 46, 47, 48, 49, 50, 51, 52, 53, 54, 55, 56, 57, 58, 59, 60, 61, 62, 63, 64, 65, 66, 67, 68, 69, 70, 71, 72, 73, 74, 75, 76, 77, 78, 79, 80, 81, 82, 83, 84, 85, 86, 87, 88, 89, 90, 91, 92, 93, 94, 95, 96, 97, 98, 99, 100, 101, 102, 103, 104, 105, 106, 107, 108, 109, 110, 111, 112, 113, 114, 115, 116, 117, 118, 119, 120, 121, 122, 123, 124, 125, 126, 127, 128, 129, 130, 131, 132, 133, 134, 135, 136, 137, 138, 139, 140, 141, 142, 143, 144, 145, 146, 147, 148, 149, 150, 151, 152, 153, 154, 155, 156, 157, 158, 159, 160, 161, 162, 163, 164, 165, 166, 167, 168, 169, 170, 171, 172, 173, 174, 175, 176, 177, 178, 179, 180, 181, 182, 183, 184, 185, 186, 187, 188, 189, 190, 191, 192, 193, 194, 195, 196, 197, 198, 199, 200, 201, 202, 203, 204, 205, 206, 207, 208, 209, 210, 211, 212, 213, 214, 215, 216, 217, 218, 219, 220, 221, 222, 223, 224, 225, 226, 227, 228, 229, 230, 231, 232, 233, 234, 235, 236, 237, 238, 239, 240, 241, 242, 243, 244, 245, 246, 247, 248, 249, 250, 251, 252, 253, 254, 255, 256, 257, 258, 259, 260, 261, 262, 263, 264, 265, 266, 267, 268, 269, 270, 271, 272, 273, 274, 275, 276, 277, 278, 279, 280, 281, 282, 283, 284, 285, 286, 287, 288, 289, 290, 291, 292, 293, 294, 295, 296, 297, 298, 299, 300, 301, 302, 303, 304, 305, 306, 307, 308, 309, 310, 311, 312, 313, 314, 315, 316, 317, 318, 319, 320, 321, 322, 323, 324, 325, 326, 327, 328, 329, 330, 331, 332, 333, 334, 335, 336, 337, 338, 339, 340, 341, 342, 343, 344, 345, 346, 347, 348, 349, 350, 351, 352, 353, 354, 355, 356, 357, 358, 359, 360, 361, 362, 363, 364, 365, 366, 367, 368, 369, 370, 371, 372, 373, 374, 375, 376, 377, 378, 379, 380, 381, 382, 383, 384, 385, 386, 387, 388, 389, 390, 391, 392, 393, 394, 395, 396, 397, 398, 399, 400, 401, 402, 403, 404, 405, 406, 407, 408, 409, 410, 411, 412, 413, 414, 415, 416, 417, 418, 419, 420, 421, 422, 423, 424, 425, 426, 427, 428, 429, 430, 431, 432, 433, 434, 435, 436, 437, 438, 439, 440, 441, 442, 443, 444, 445, 446, 447, 448, 449, 450, 451, 452, 453, 454, 455, 456, 457, 458, 459, 460, 461, 462, 463, 464, 465, 466, 467, 468, 469, 470, 471, 472, 473, 474, 475, 476, 477, 478, 479, 480, 481, 482, 483, 484, 485, 486, 487, 488, 489, 490, 491, 492, 493, 494, 495, 496, 497, 498, 499, 500, 501, 502, 503, 504, 505, 506, 507, 508, 509, 510, 511, 512, 513, 514, 515, 516, 517, 518, 519, 520, 521, 522, 523, 524, 525, 526, 527, 528, 529, 530, 531, 532, 533, 534, 535, 536, 537, 538, 539, 540, 541, 542, 543, 544, 545, 546, 547, 548, 549, 550, 551, 552, 553, 554, 555, 556, 557, 558, 559, 560, 561, 562, 563, 564, 565, 566, 567, 568, 569, 570, 571, 572, 573, 574, 575, 576, 577, 578, 579, 580, 581, 582, 583, 584, 585, 586, 587, 588, 589, 590, 591, 592, 593, 594, 595, 596, 597, 598, 599, 600, 601, 602, 603, 604, 605, 606, 607, 608, 609, 610, 611, 612, 613, 614, 615, 616, 617, 618, 619, 620, 621, 622, 623, 624, 625, 626, 627, 628, 629, 630, 631, 632, 633, 634, 635, 636, 637, 638, 639, 640, 641, 642, 643, 644, 645, 646, 647, 648, 649, 650, 651, 652, 653, 654, 655, 656, 657, 658, 659, 660, 661, 662, 663, 664, 665, 666, 667, 668, 669, 670, 671, 672, 673, 674, 675, 676, 677, 678, 679, 680, 681, 682, 683, 684, 685, 686, 687, 688, 689, 690, 691, 692, 693, 694, 695, 696, 697, 698, 699, 700, 701, 702, 703, 704, 705, 706, 707, 708, 709, 710, 711, 712, 713, 714, 715, 716, 717, 718, 719, 720, 721, 722, 723, 724, 725, 726, 727, 728, 729, 730, 731, 732, 733, 734, 735, 736, 737, 738, 739, 740, 741, 742, 743, 744, 745, 746, 747, 748, 749, 750, 751, 752, 753, 754, 755, 756, 757, 758, 759, 760, 761, 762, 763, 764, 765, 766, 767, 768, 769, 770, 771, 772, 773, 774, 775, 776, 777, 778, 779, 780, 781, 782, 783, 784, 785, 786, 787, 788, 789, 790, 791, 792, 793, 794, 795, 796, 797, 798, 799, 800, 801, 802, 803, 804, 805, 806, 807, 808, 809, 810, 811, 812, 813, 814, 815, 816, 817, 818, 819, 820, 821, 822, 823, 824, 825, 826, 827, 828, 829, 830, 831, 832, 833, 834, 835, 836, 837, 838, 839, 840, 841, 842, 843, 844, 845, 846, 847, 848, 849, 850, 851, 852, 853, 854, 855, 856, 857, 858, 859, 860, 861, 862, 863, 864, 865, 866, 867, 868, 869, 870, 871, 872, 873, 874, 875, 876, 877, 878, 879, 880, 881, 882, 883, 884, 885, 886, 887, 888, 889, 890, 891, 892, 893, 894, 895, 896, 897, 898, 899, 900, 901, 902, 903, 904, 905, 906, 907, 908, 909, 910, 911, 912, 913, 914, 915, 916, 917, 918, 919, 920, 921, 922, 923, 924, 925, 926, 927, 928, 929, 930, 931, 932, 933, 934, 935, 936, 937, 938, 939, 940, 941, 942, 943, 944, 945, 946, 947, 948, 949, 950, 951, 952, 953, 954, 955, 956, 957, 958, 959, 960, 961, 962, 963, 964, 965, 966, 967, 968, 969, 970, 971, 972, 973, 974, 975, 976, 977, 978, 979, 980, 981, 982, 983, 984, 985, 986, 987, 988, 989, 990, 991, 992, 993, 994, 995, 996, 997, 998, 999, 1000.

**PROPOSED SITE DATA:**

TOTAL SITE ACREAGE	53,688 S.F.	1.232 ACRES
PERVIOUS AREA (INCLUDING LANDSCAPED BUFFERS)	15,411 S.F.	0.35 ACRES (29%)
IMPERVIOUS AREA	38,277 S.F.	0.88 ACRES (71%)
NEW BUILDING	925 S.F.	.018 ACRES

**LEGEND**

P.O.C.	POINT OF COMMENCEMENT	EXISTING SIGN
P.O.B.	POINT OF BEGINNING	PROPOSED SIGN
P.O.T.	POINT OF TERMINATION	WATER METER
B.C.R.	BROWARD COUNTY RECORDS	EXISTING FLORIDA POWER & LIGHT POLE
P.B.	PLAT BOOK	EXISTING PILE, TO BE REMOVED
(C)	CALCULATED	PROPOSED PILE
C	CENTERLINE	EXISTING DOCK, TO BE REPLACED
R/W	RIGHT-OF-WAY	PROPOSED NEW DOCK
P.B.	PLAT BOOK	CONCRETE POWER POLE
ELEV.	ELEVATION	FIRE HYDRANT
Δ	INCLUDED ANGLE OF CURVE	EXISTING CURB INLET
R	RADIUS OF CURVE	PROP. DRAINAGE INLET STRUCTURE
T	TANGENT OF CURVE	PROP. DRAINAGE JUNCTION MANHOLE
L	LENGTH OF CURVE	DETAIL DESIGNATION
S	SECTION CORNER	PLAN SHEET NUMBER
1/4	SECTION 1/4 CORNER	FINISHED SURFACE ELEVATION
AC	AIR CONDITIONER	PROPOSED ELEVATION CONTOUR
AC	ELECTRIC SERVICE	N/G
OH	CONC. POLE	NATURAL GROUND ELEV. (AS-BUILT)
OH	EXISTING OVERHEAD WIRE	
PROPOSED CONCRETE		
DOCK FIRE CABINET		

- NOTES:**
- DOCKING FACILITIES FOR 15 BOATS, TWO BOAT DOCKS ON WEST SIDE SHALL BE LESS THAN 32 FEET IN LENGTH
  - ALL PAVEMENT MARKINGS & SIGNS SHALL CONFORM TO THE STANDARDS SET FORTH BY THE "MANUAL ON UNIFORM TRAFFIC CONTROL DEVICES", LATEST EDITION.
  - ALL PAVEMENT MARKINGS WITHIN THE RIGHT OF WAY SHALL BE THERMOPLASTIC, ON-SITE PAVEMENT MARKINGS SHALL BE PAINTED.
  - ALL WORK SHALL CONFORM TO CONDITIONS OF PERMITS. COPIES OF ALL PERMITS SHALL BE OBTAINED FROM THE CITY.
  - CONTRACTOR SHALL USE SILT SCREENS FOR WORK IN OR ADJACENT TO THE WATER. THE CONTRACTOR SHALL CONTROL RUNOFF AND RESULTING TURBIDITY UNTIL THE SITE IS COMPLETED.
  - THE SUBGRADE UNDER THE PROPOSED PAVEMENT SHALL BE PROOF ROLLED TO IDENTIFY WEAK AREAS AS PER SECTION 0210 3.0.3 "SUBGRADE PREPARATION" OF SPECIFICATIONS. UNSUITABLE SUBGRADE MATERIALS SHALL BE REPLACED WITH CLEAN IMPORTED FILL MATERIAL AS DIRECTED BY THE ENGINEER.

**COORDINATE SCHEDULE TABLE**

PT. No.	NORTHING	EASTING
1	701632.4290	800004.5403
2	701624.9112	799971.0049
3	701598.5942	799932.0637
4	701560.1182	799969.2077
5	701591.1126	800014.4594
6	701558.9721	800002.1920
7	701545.9565	799982.5745
8	701534.8724	799965.8680
9	701468.2100	800010.0962
10	701506.7332	800064.5570
11	701546.4545	800120.7941
12	701636.4487	800061.0861
13	701574.3296	800230.4081
14	701672.8066	800110.7114
15	701571.6370	800021.2811
16	701660.8002	800093.4534
17	701663.5938	800050.6546
18	701556.1390	799978.2177
19	701618.3193	800076.2054
20	701555.7082	800221.5626

**WILLIAMS, HATFIELD & STONER, INC.**  
 CONSULTING ENGINEERS • PLANNERS • SURVEYORS  
 2101 NORTH ANDREWS AVENUE, SUITE 300, FORT LAUDERDALE, FL 33311  
 PHONE: (954) 566-8341 • FAX: (954) 565-5421  
 AUTHORIZATION No. 28

**HILLSBORO INLET IMPROVEMENT PAVING AND DRAINAGE PLAN**  
 PREPARED FOR: CITY OF POMPANO BEACH  
 LOCATED IN: POMPANO BEACH, BROWARD COUNTY, FLORIDA

DATE: 9/22/99  
 Drawn: LUG/EEI  
 Checked: KRS  
 Manager: KRS  
 Draw Name: HILLSDI.DWG

PROJECT No. 4220-30  
 SHEET No. 4